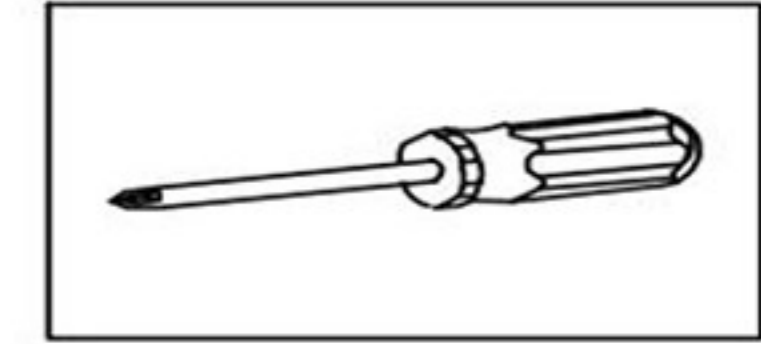
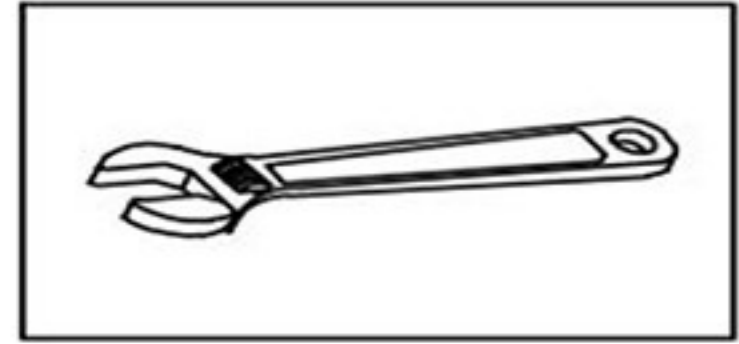


# Wall Lamp Installation

## Tools Required:

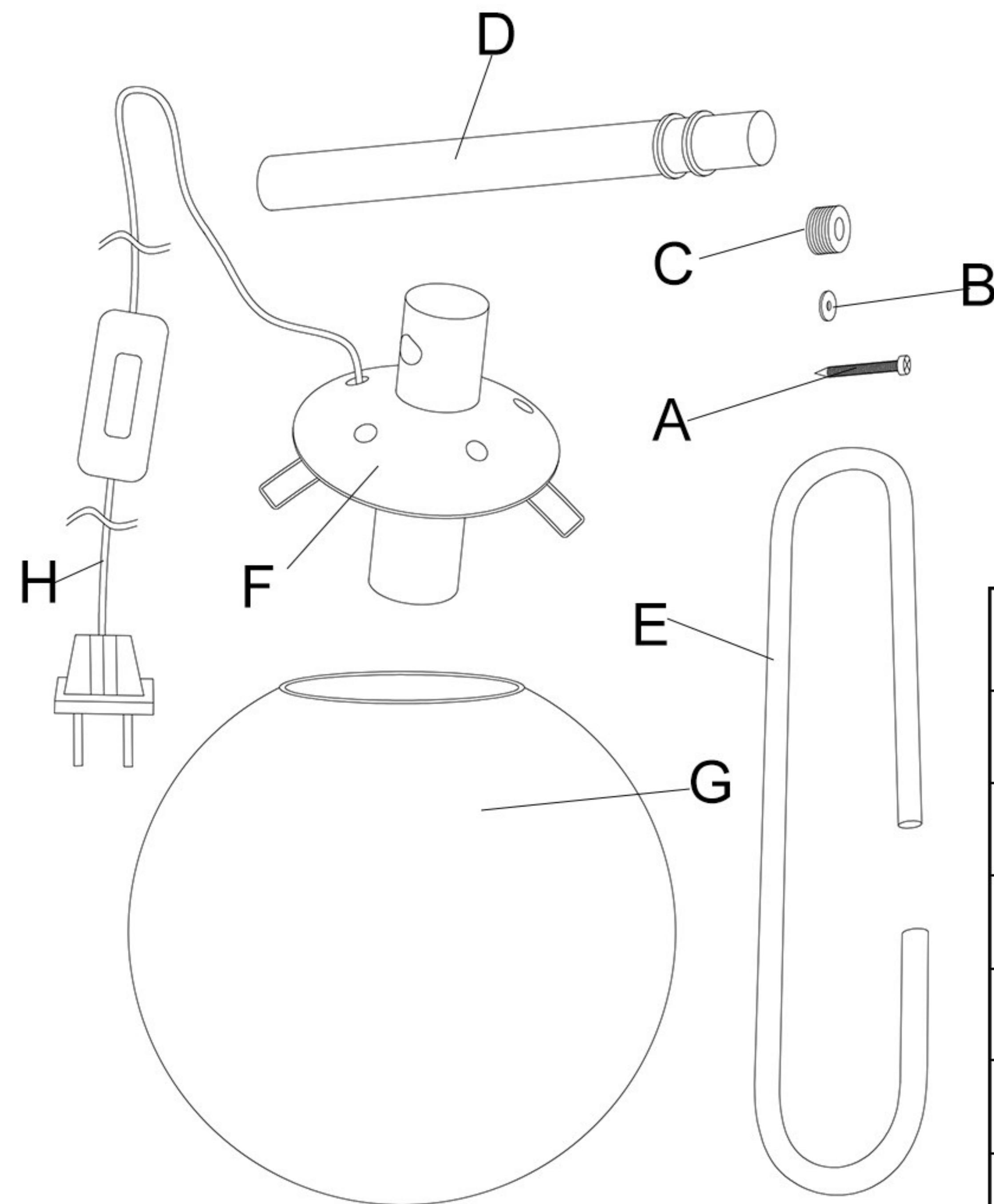


Adjustable Wrench    Philips Screwdriver

## Before Installation

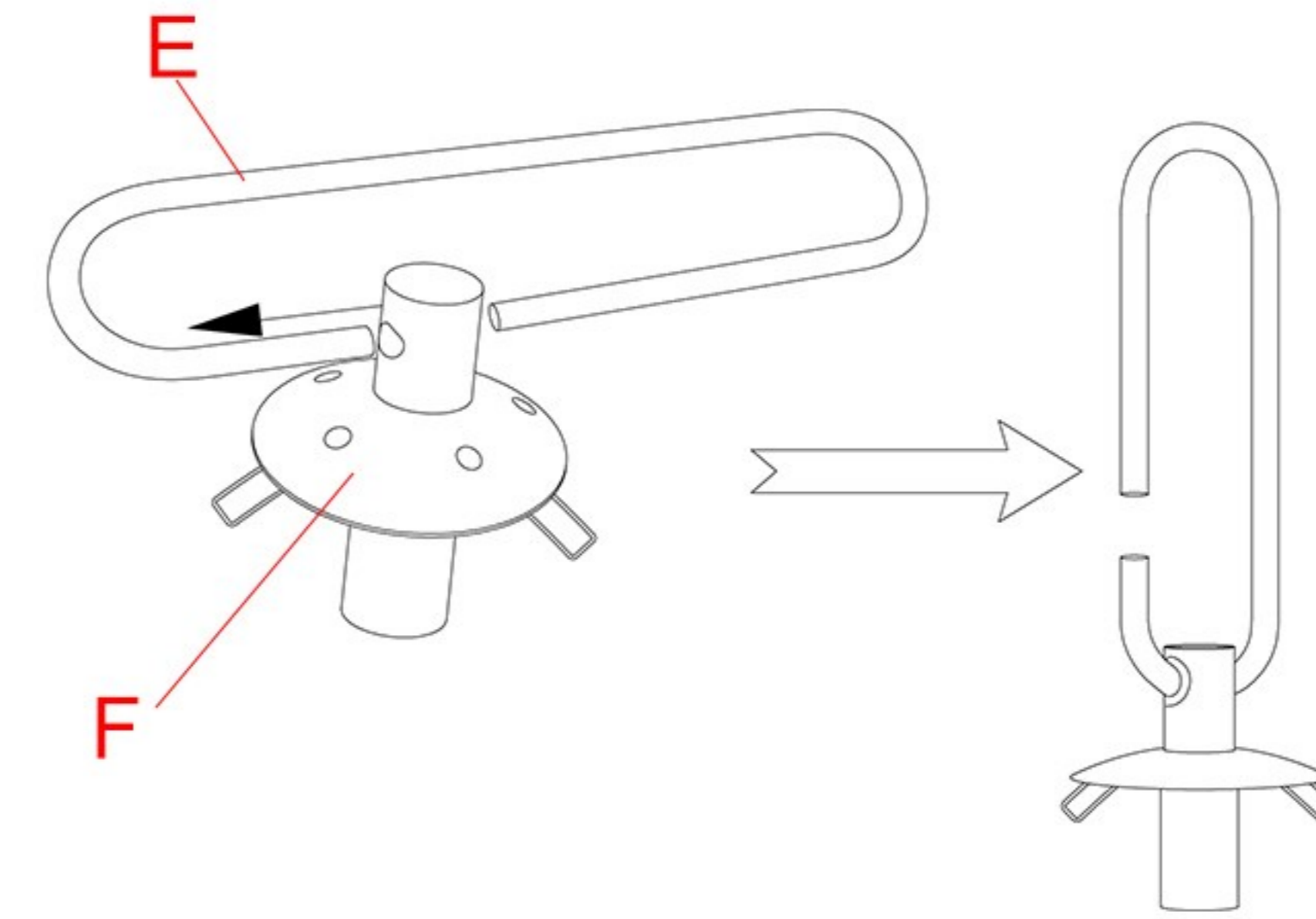
1. Please read these instructions before assembling or installing the product. **NOTE:** Installation by a licensed electrician is recommended.
2. Take out the fixture and the mounting package and make sure all parts are included. If any part is missing or damaged, please contact us.
3. All parts must be used as indicated in these instructions. Do not substitute any parts, leave parts out, or use any parts that are worn out or broken.
4. Do not disassemble the main body, as it has been installed & commissioned correctly & precisely before leaving the factory.
5. **IMPORTANT:** Turn off the main power at the circuit breaker and place the wall switch or pull chain in the "OFF" position.
6. Do not use bulbs with wattage greater than specified on this fixture.

## Parts List

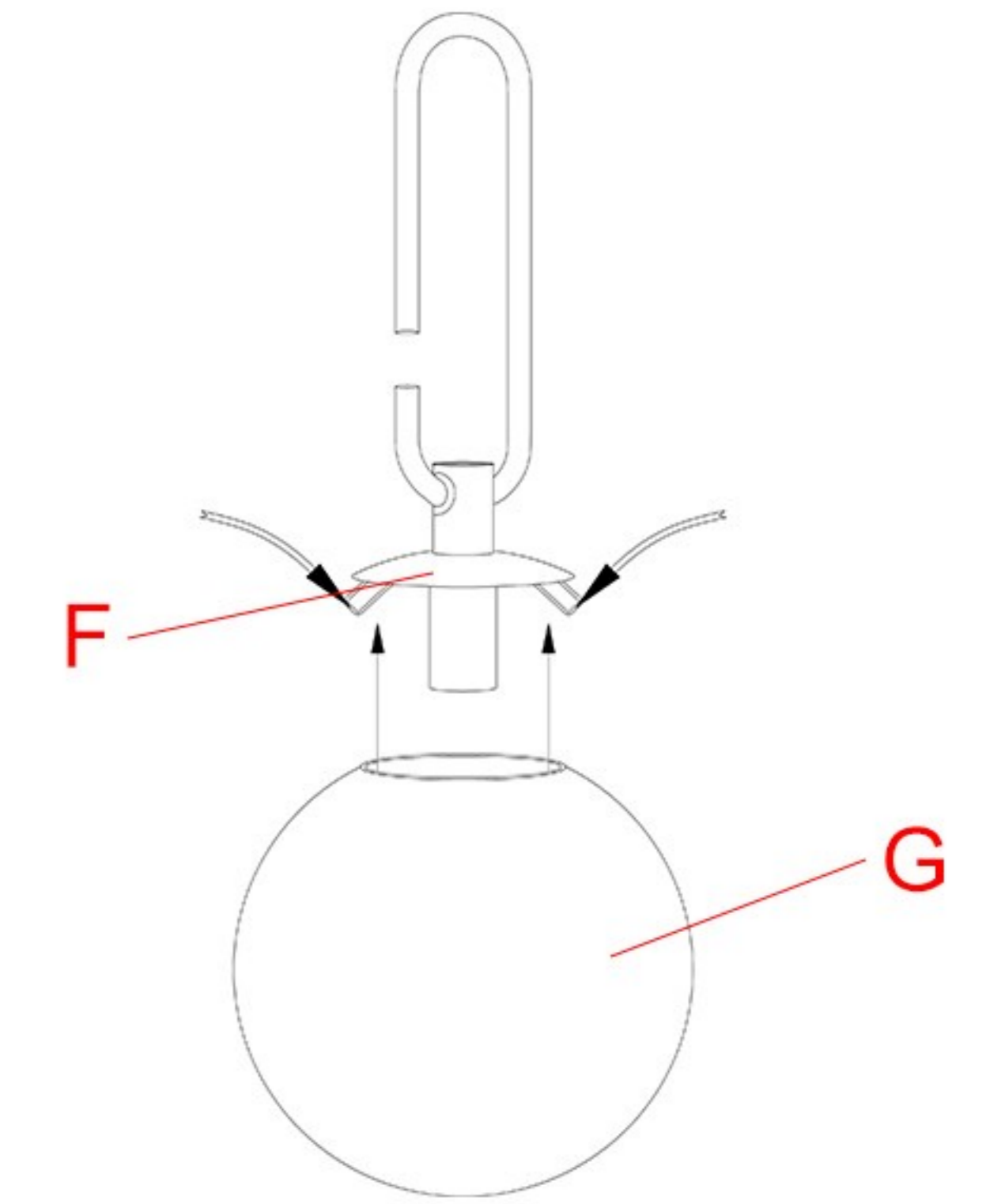


Part	Name	Quantity
A	screw	1
B	gasket	1
C	retaining bracket	1
D	light arm	1
E	light fixture	1
F	lampholder	1
G	light shade	1
H	plug	1

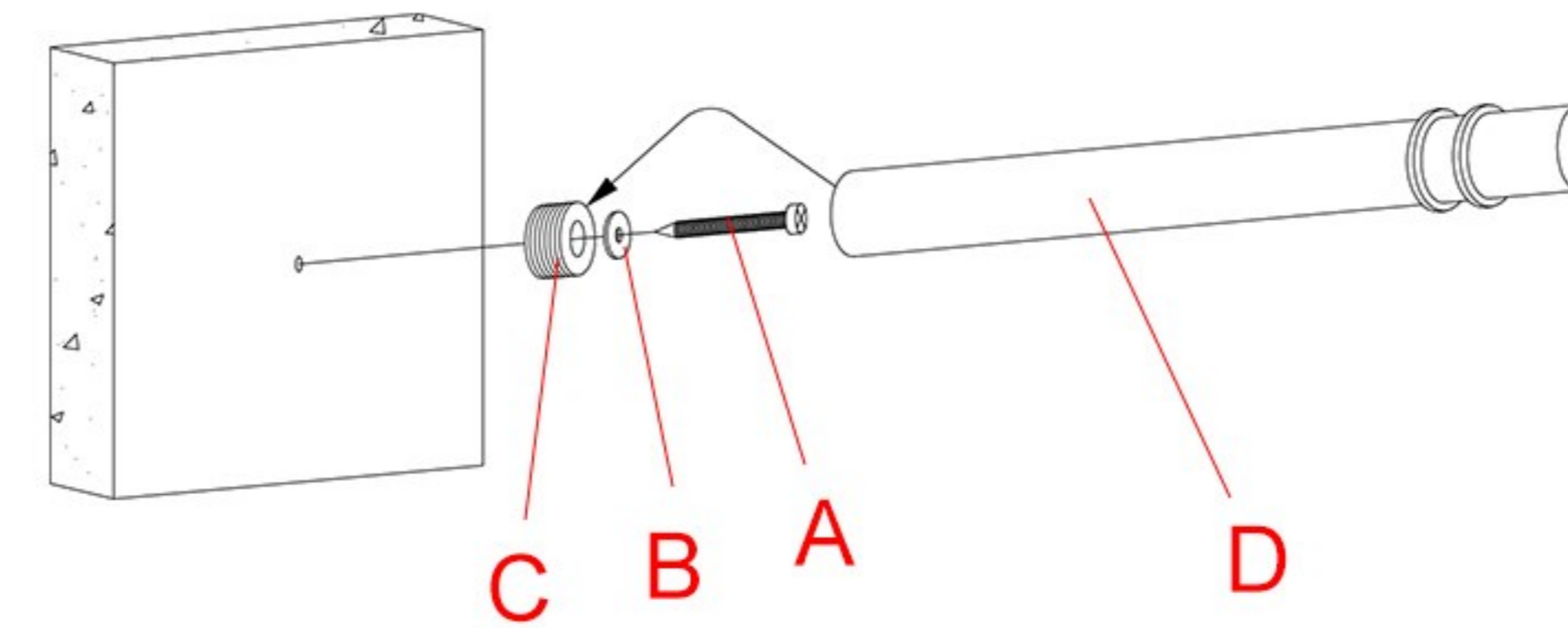
## Installation Guide



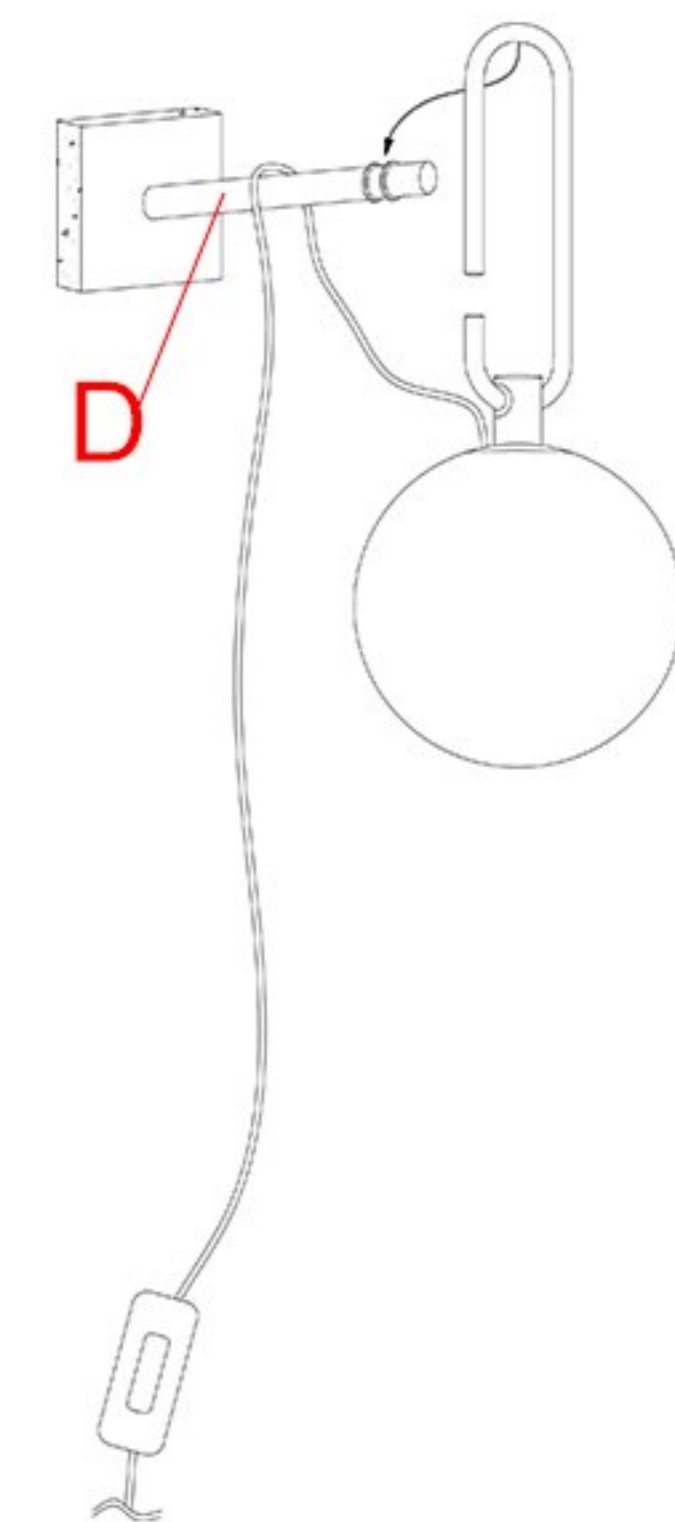
1. Shut off the power. Pass the top of the lampholder (F) through the light fixture (E) in the direction of arrow.



2. Lean the opening of the light shade (G) and hook the shade to the lampholder (F).



3. Feed the screw (A) through the gasket (B) and the retaining bracket (C) into the pre-drilled hole on the wall and tighten the screw to fix the retaining bracket. Screw on the light arm (D) through the retaining bracket.



4. Hang the whole lamp on the light arm (D) and plug it in. Turn it on and test.

## Troubleshooting

Problem	Possible Cause	Corrective Action
Fixture does not light.	<ol style="list-style-type: none"> <li>1. Fixture may be wired incorrectly.</li> <li>2. Worn or broken bulb.</li> <li>3. Lamp socket or LED transformer (if applicable) may go bad.</li> </ol>	<ol style="list-style-type: none"> <li>1. Check wiring.</li> <li>2. Replace bulb.</li> <li>3. Replace lamp socket or LED transformer (if applicable).</li> </ol>
Light bulb flickers.	<ol style="list-style-type: none"> <li>1. Switch Contacts are bad.</li> <li>2. Wire connections are loose.</li> <li>3. Light bulb socket may go bad.</li> </ol>	<ol style="list-style-type: none"> <li>1. Replace the switch.</li> <li>2. Check wire connections.</li> <li>3. Replace the socket.</li> </ol>