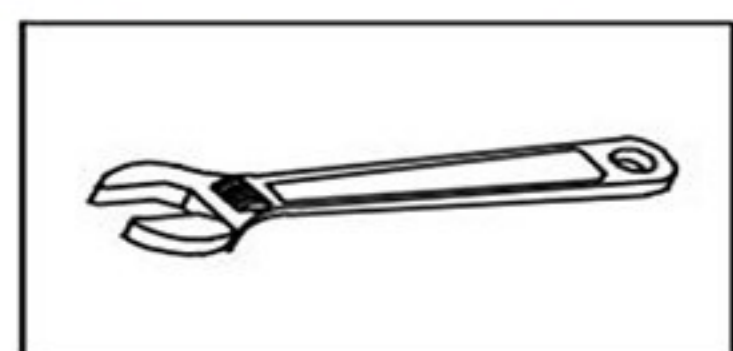
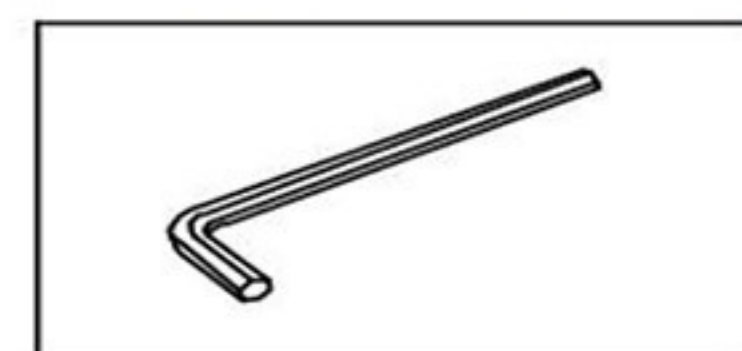


Free-Standing Bathtub Faucet Installation

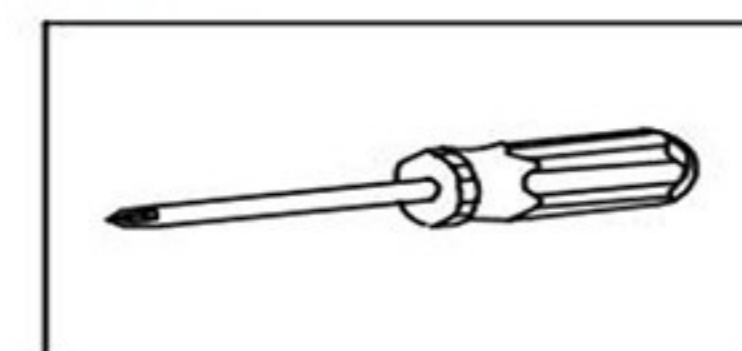
INSTALLATION MANUAL Tools You Will Need:



Adjustable Wrench



Hexagon wrench



Philips Screwdriver

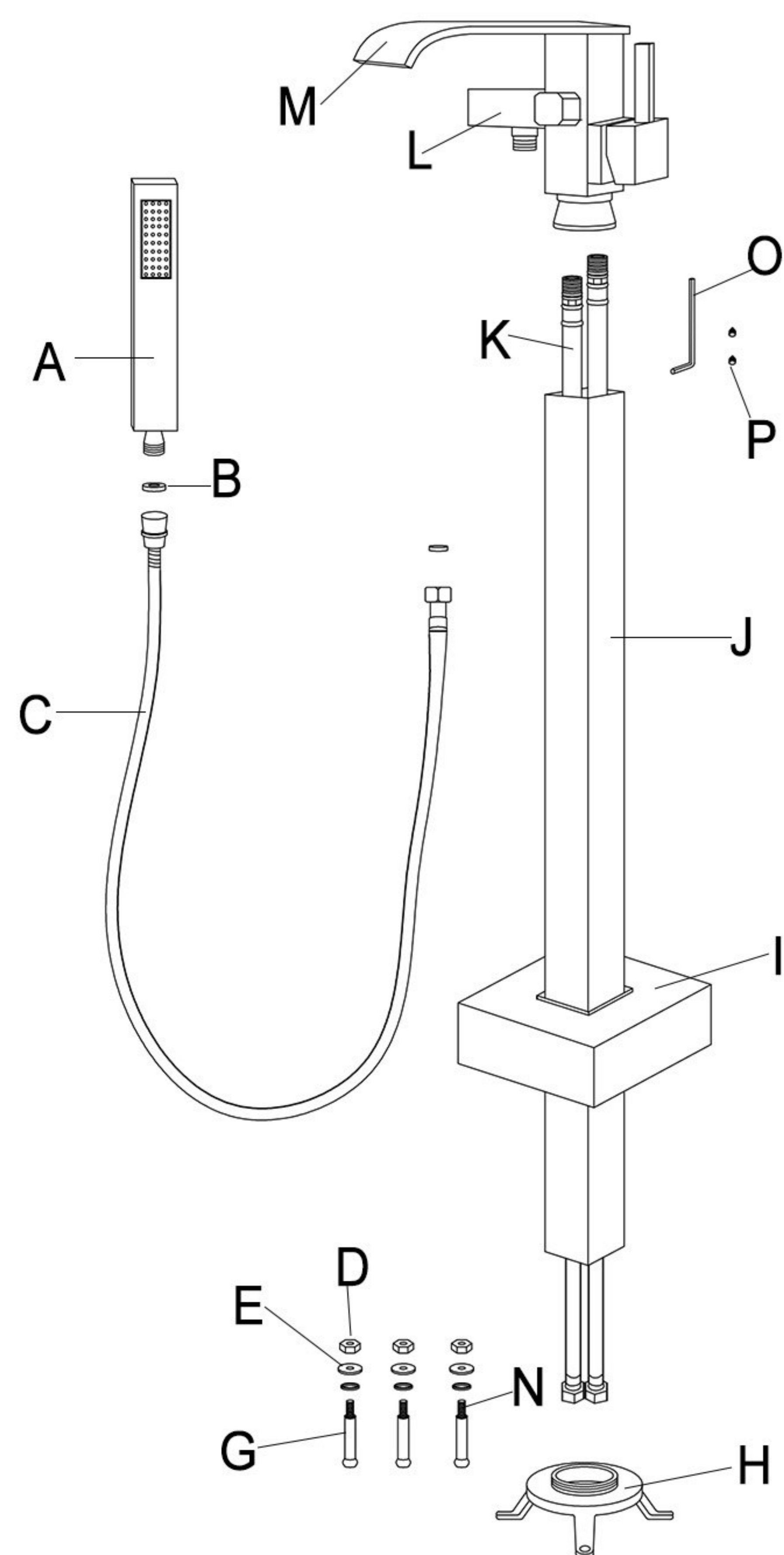
Before the Installation

1. Check the package and confirm all parts are included. If any part is missing or damaged, please contact us.
2. Do not disassemble the main body, as it has been installed & commissioned correctly & precisely before leaving the factory.
3. Shut off the main water supply prior to beginning installation.
4. Do flush the water supply lines to remove any dirt and debris before installation **(IMPORTANT)**.
5. Make sure to connect the hot/cold inlet pipe correctly. If standing in front, connect hot water pipe to the left and cold water pipe to the right.
6. After the installation, check for leaks and make sure every joint is safely sealed.

Cleaning and Maintenance

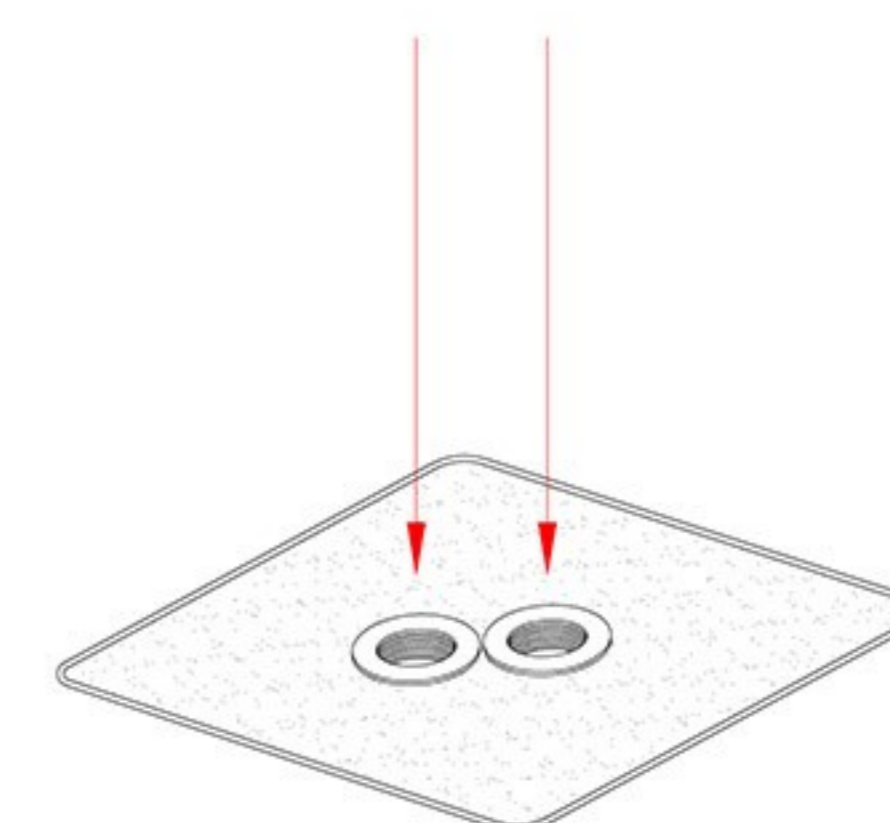
1. Rinse with clean water and dry with a soft cloth.
2. Do not use any detergent, acid, polisher, abrasives, or harsh cleaners.
3. Do not use cloth with a coarse surface.

Parts List

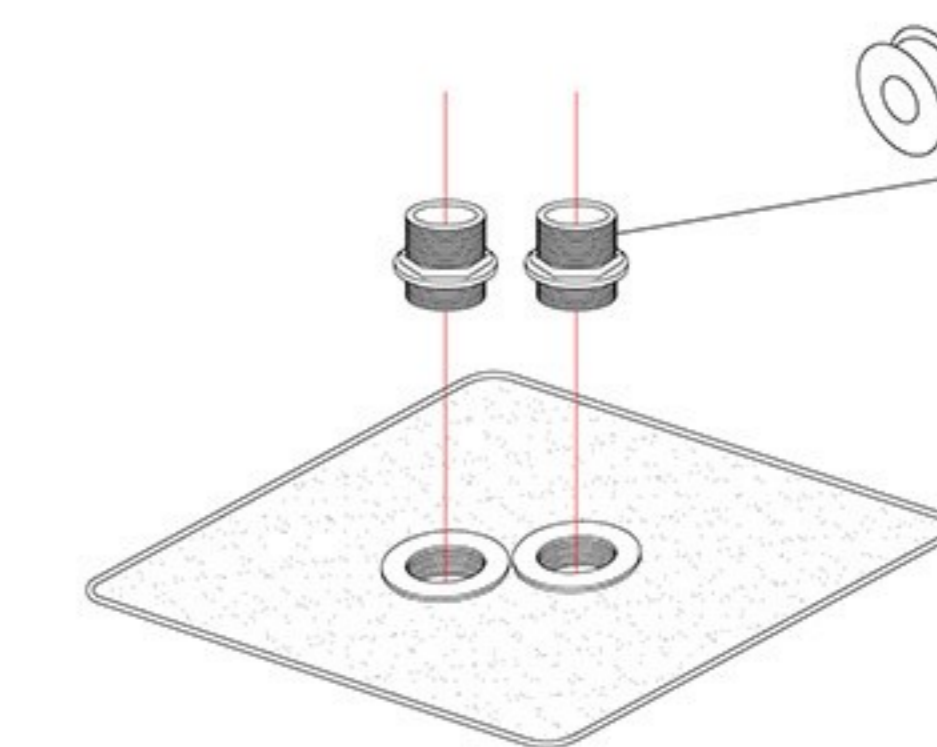


Part	Name	Quantity
A	hand shower	1
B	rubber washer	5
C	hose	1
D	screw	3
E	metal washer	3
G	expansion bolts	3
H	flange	1
I	flange cover	1
J	stand pole	1
K	waterlines	2
L	hand shower holder	1
M	faucet body	1
N	expansion screws	3
O	Allen key	1
P	set screw	2

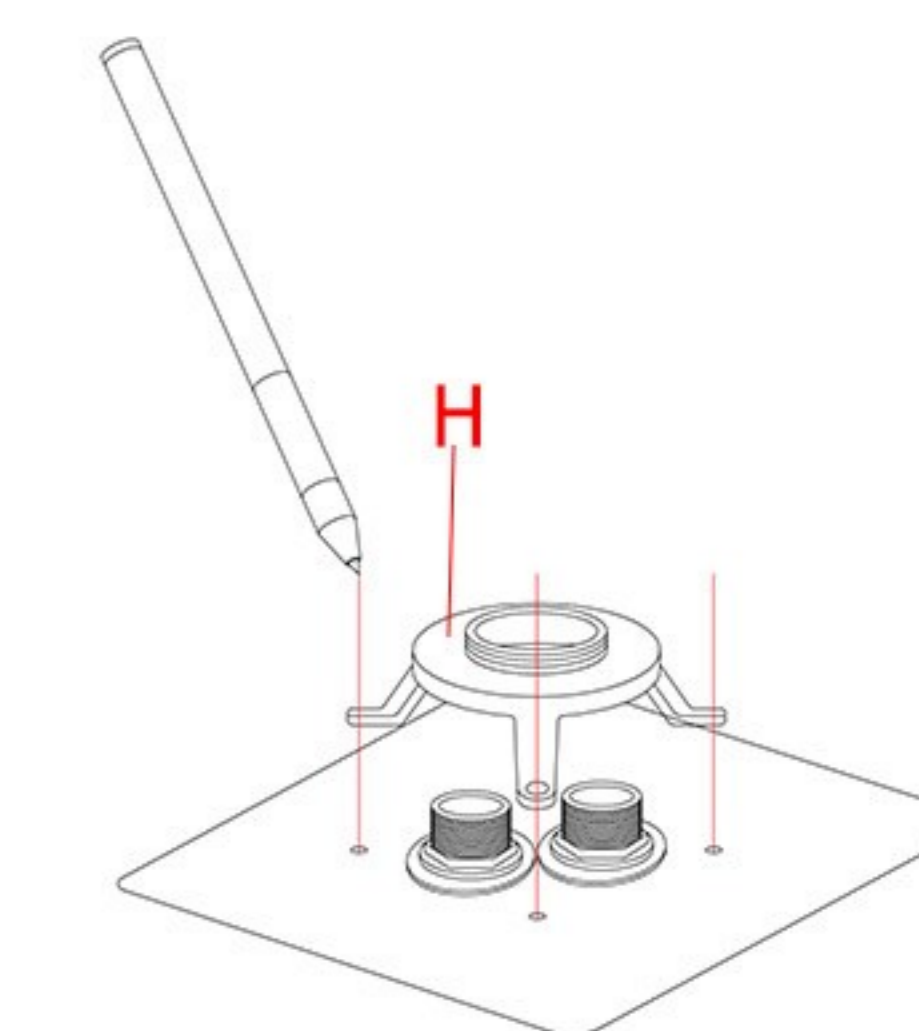
Installation Guide



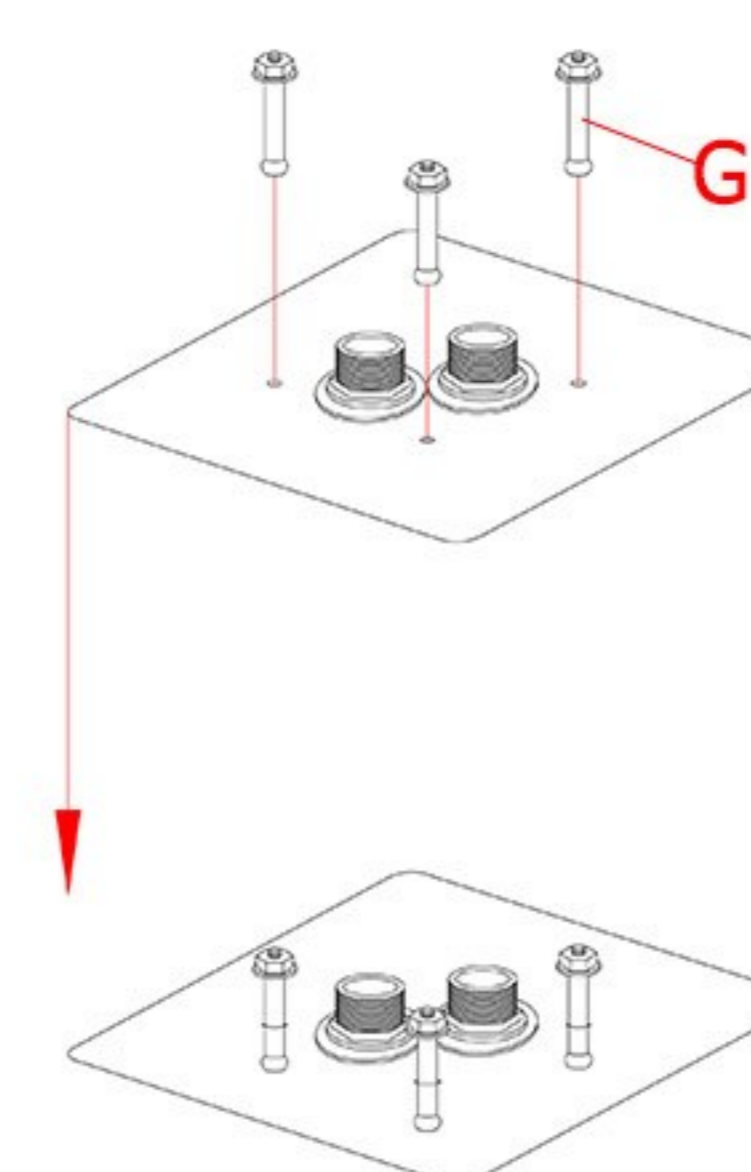
1. Embed the supply hose fittings (not included).



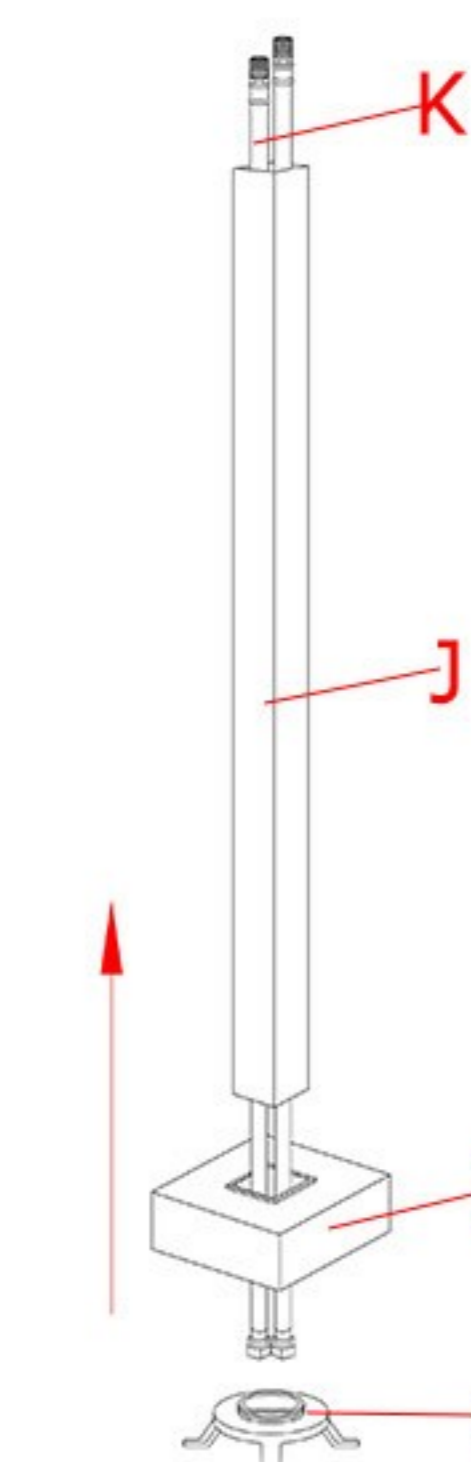
2. Apply the Teflon Tape (not included) onto the fittings (not included).



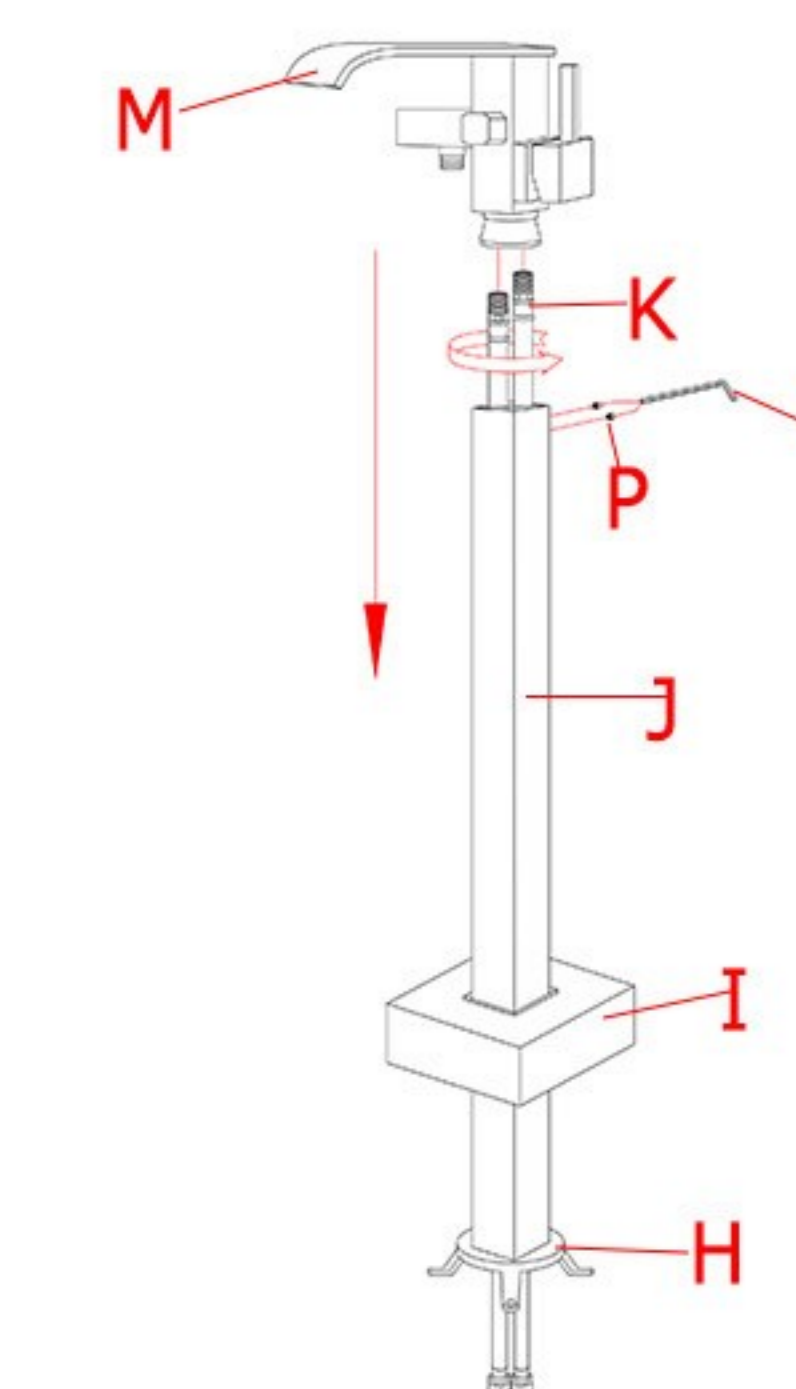
3. Use the flange (H) to mark holes to drill.



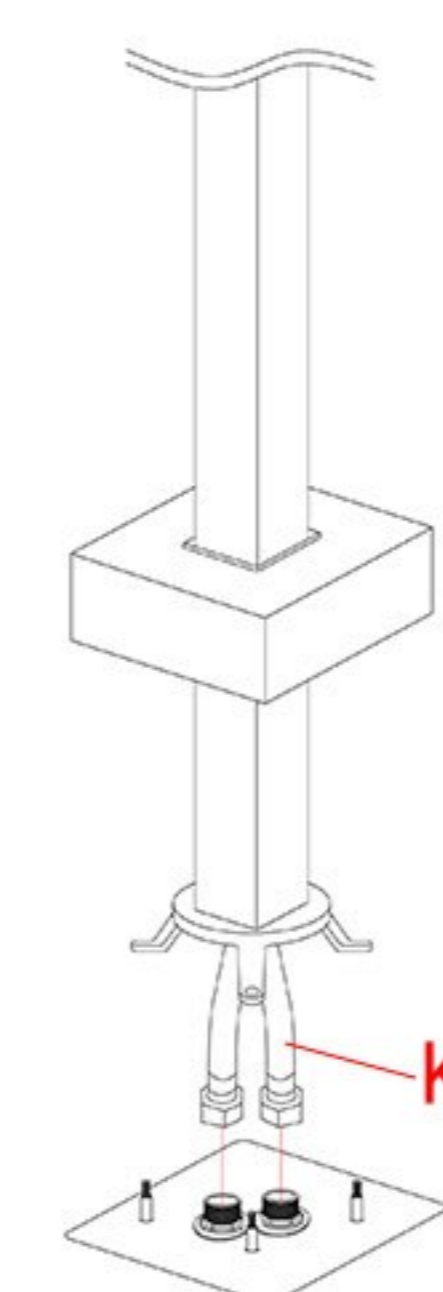
4. Suit the expansion bolts (G). Fix the expansion screws (N) into the expansion bolts (G).



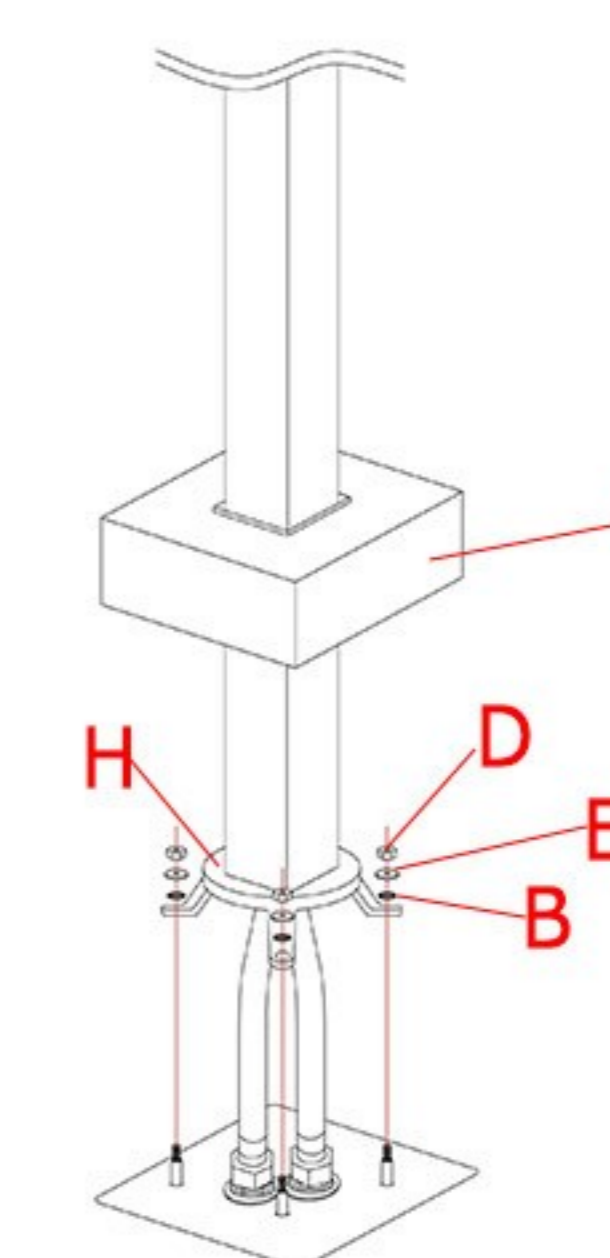
5. Feed the waterlines (K) through the stand pole (J), flange cover (I) and flange (H).



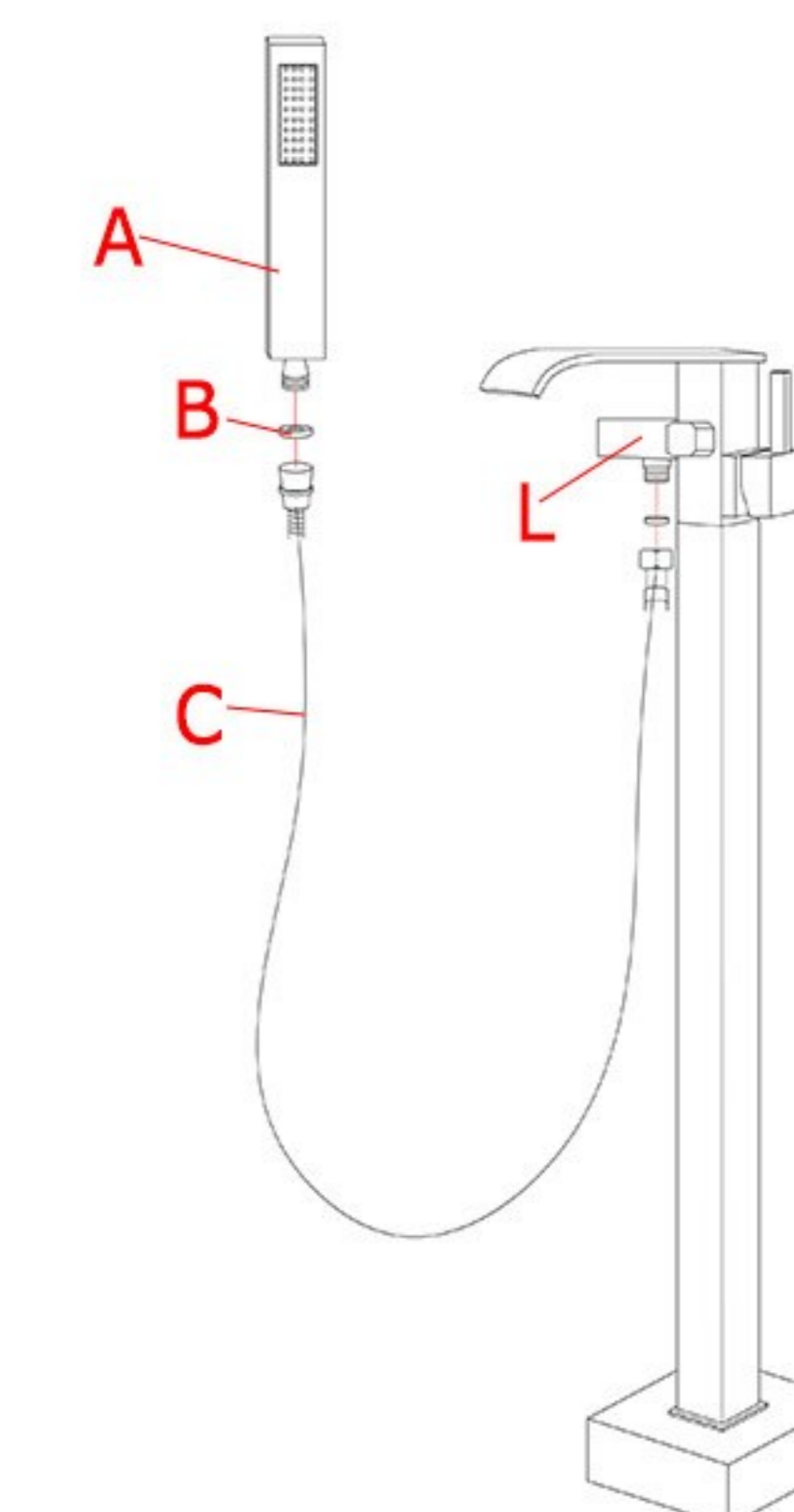
6. Put on the flange cover (I) and fasten the flange (H) to the stand pole (J). Screw waterlines (K) into the corresponding screw-hole of the faucet body (M). Then, install the stand pole (J) to the faucet body (M) and fix set screws (P) with Allen key (O).



7. Connect the waterlines (K) to the water supply in the floor.



8. Fix the flange (H) to the floor with rubber washers (B), metal washers (E) and screws (D). Push the flange cover (I) against the floor.



9. Add rubber washer (B) to both ends of the shower hose (C). Screw them on the hand shower (A) and hand shower holder (L).