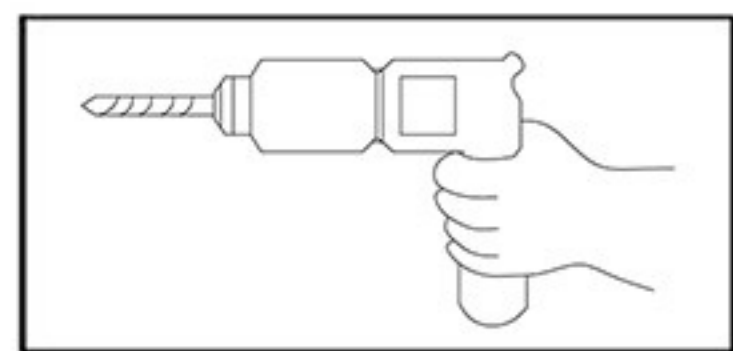
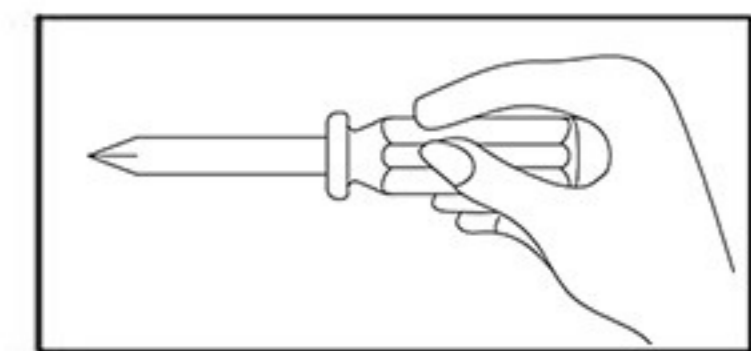


Light Fixture Installation

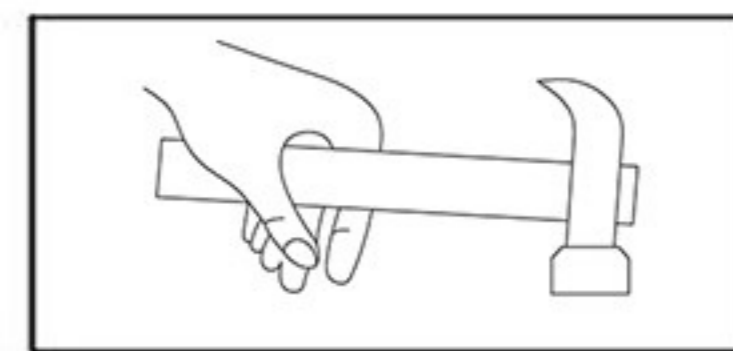
Tools Required:



Electric Drill



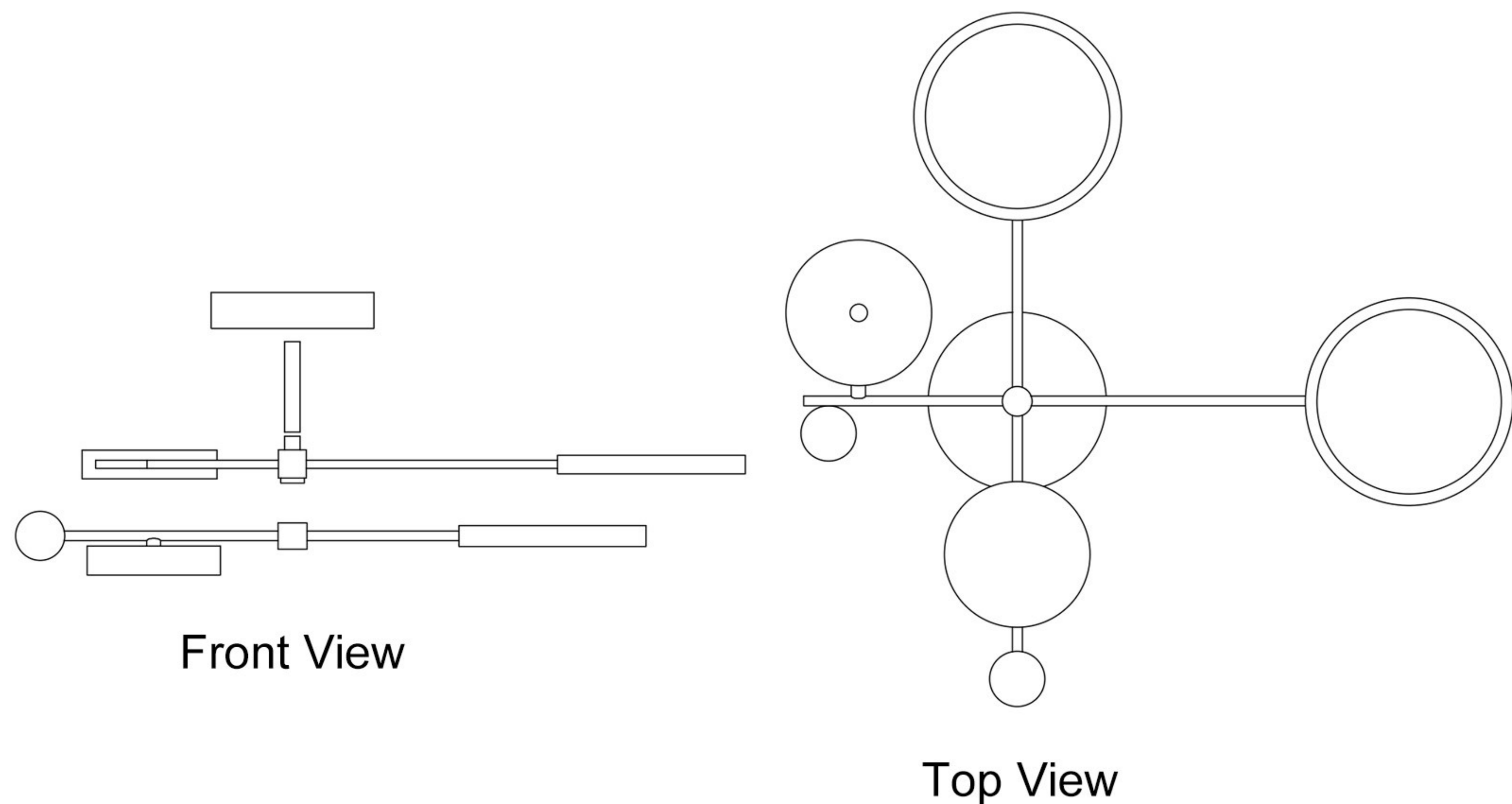
Philips Screwdriver



Hammer

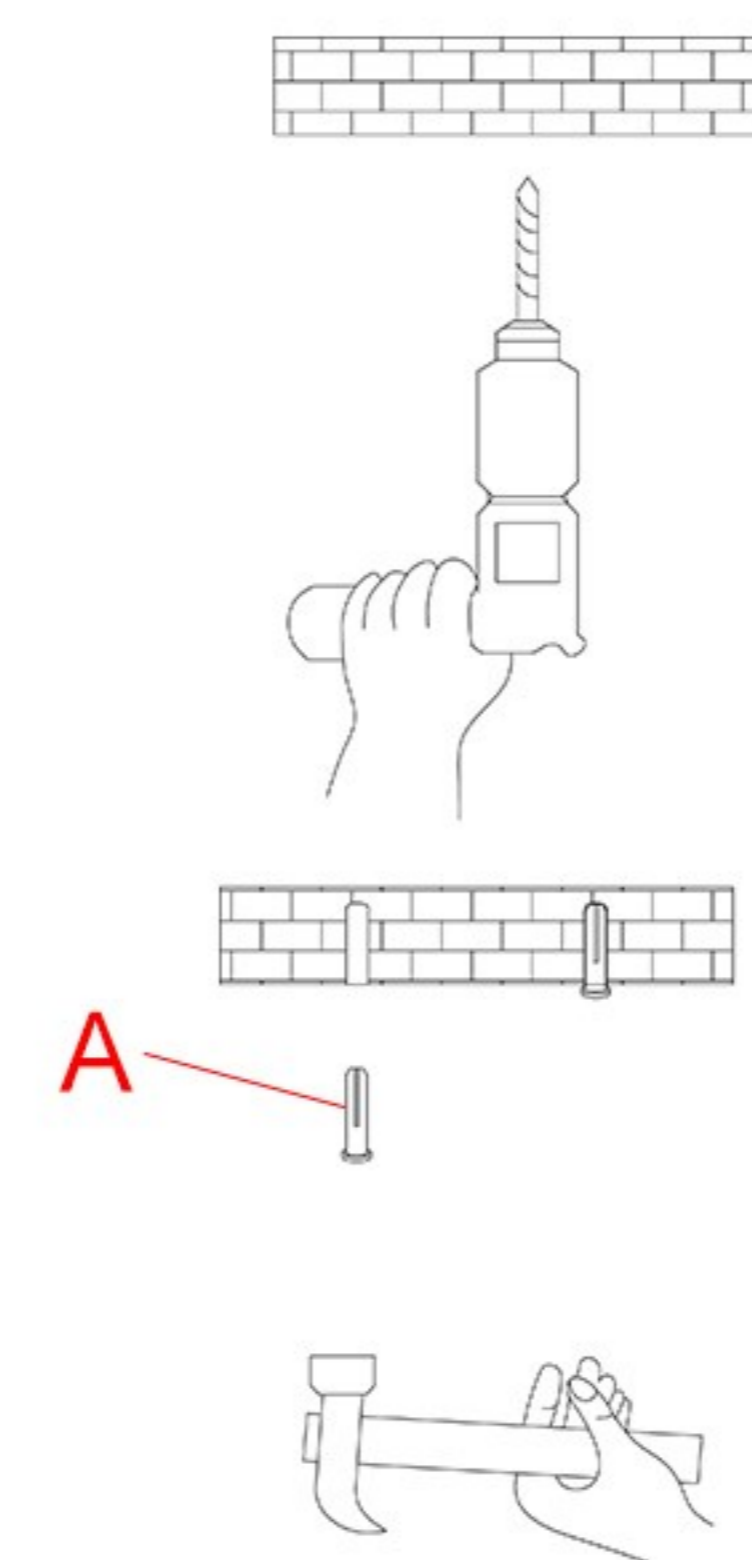
Before Installation

1. Please read these instructions before assembling or installing the product. **NOTE:** Installation by a licensed electrician is recommended.
2. Take out the fixture and the mounting package and make sure all parts are included. If any part is missing or damaged, please contact us.
3. All parts must be used as indicated in these instructions. Do not substitute any parts, leave parts out, or use any parts that are worn out or broken.
4. Do not disassemble the main body, as it has been installed & commissioned correctly & precisely before leaving the factory.
5. **IMPORTANT:** Turn off the main power at the circuit breaker and place the wall switch or pull chain in the "OFF" position.
6. Do not use bulbs with wattage greater than specified on this fixture.

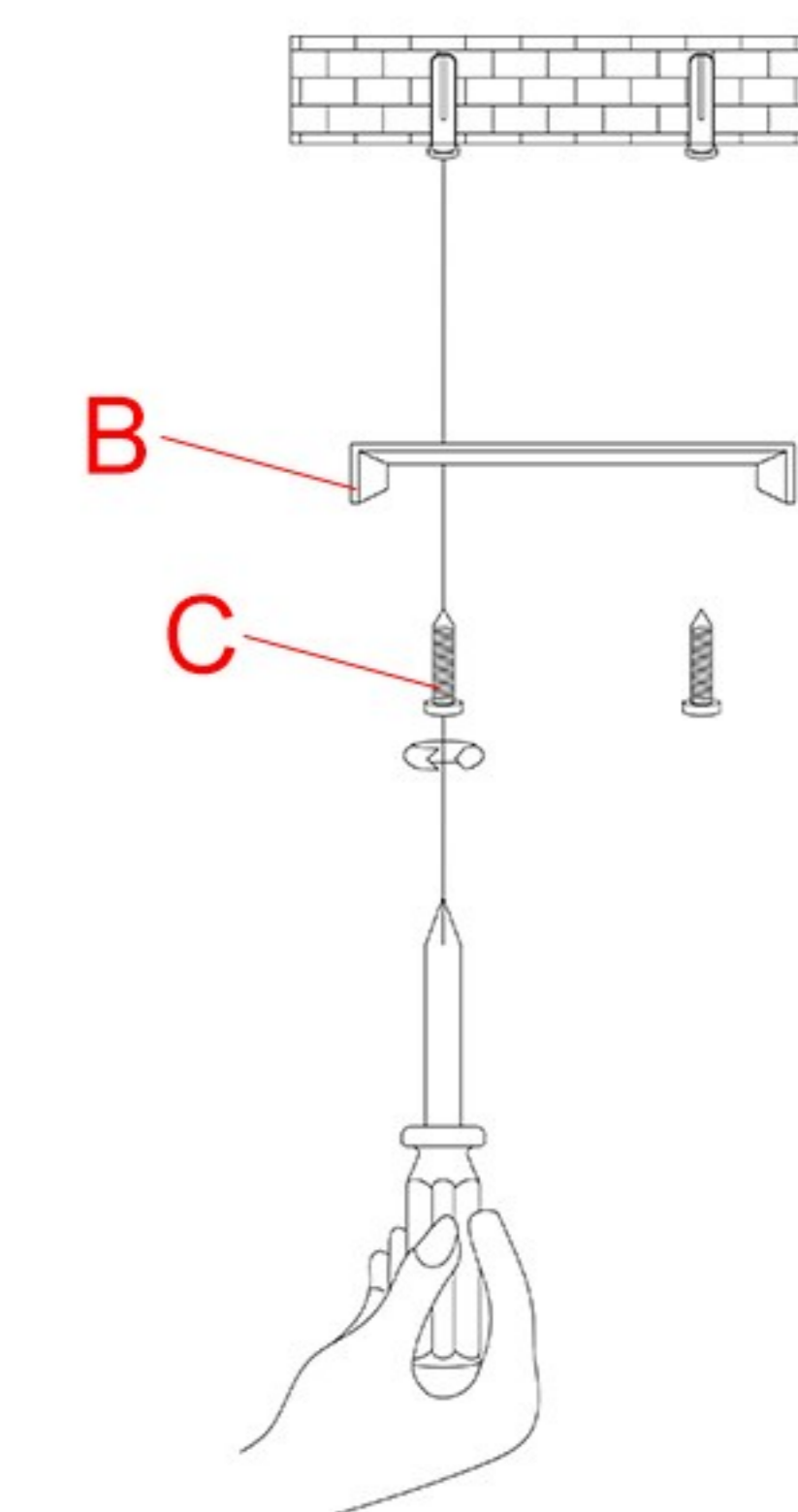


Part	Name	Quantity
A	expansion anchors	2
B	mounting strap	1
C	screws	2
D	wire connectors	2
E	canopy	1
F	screws	2

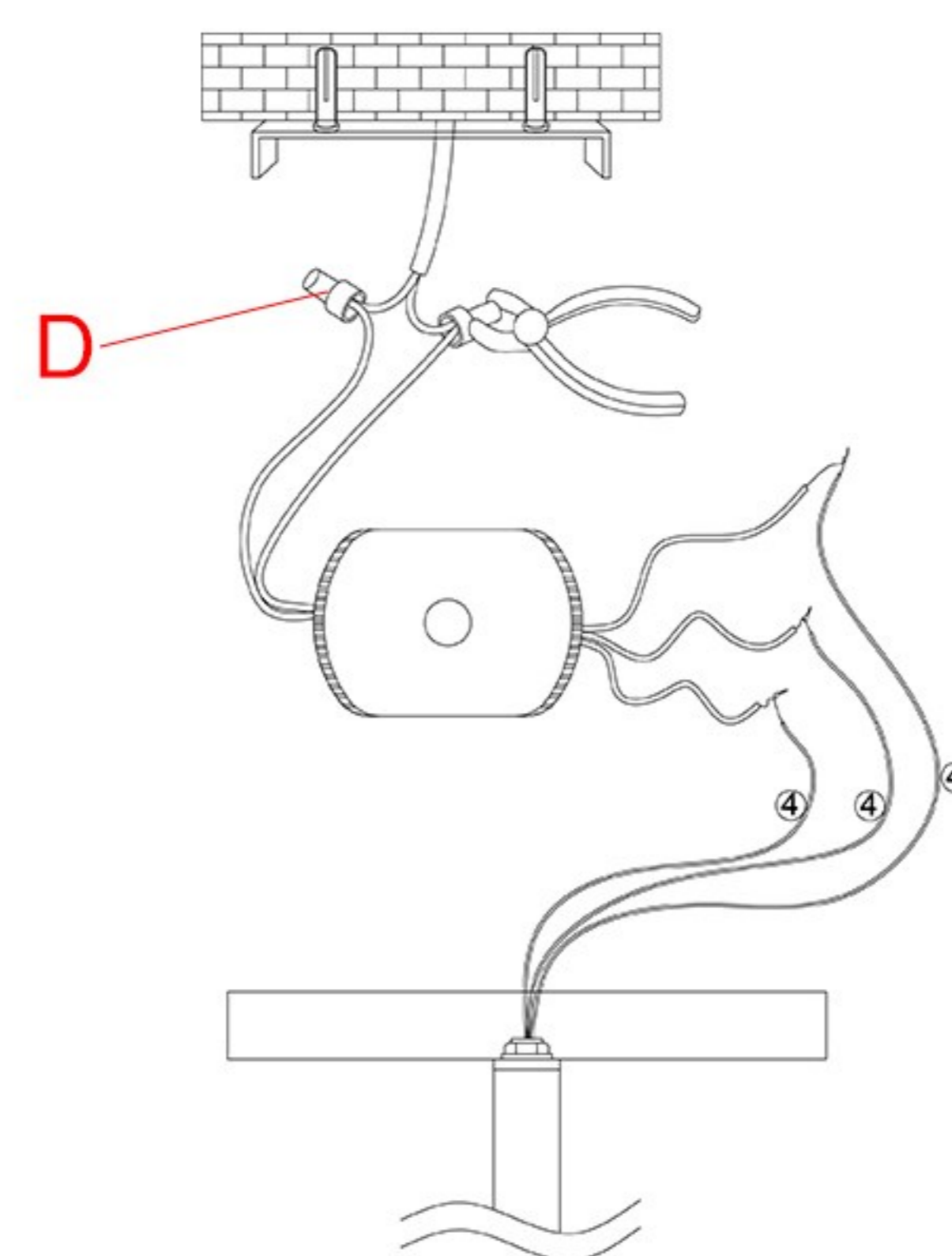
Installation Guide



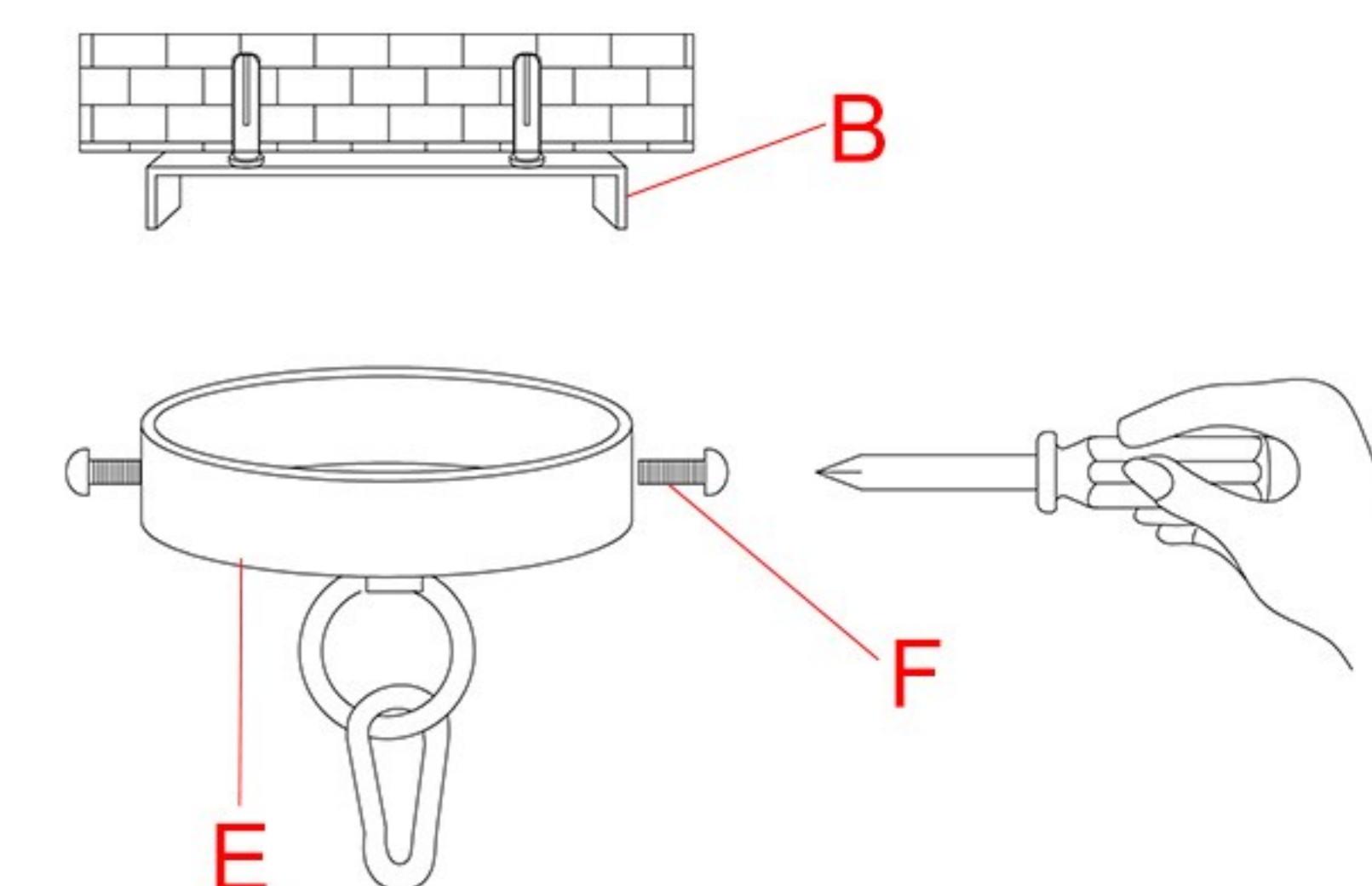
1. Shut off power before installation. Mark holes in the ceiling and drill holes. Then install the expansion anchors (A) in the ceiling.



2. Fix the mounting strap (B) to the ceiling with screws (C).



3. Connect the 3 wires of the LED starter to wires of the light fixture, matching gray to red, white to white, and yellow to black. Connect the blue wire with the null wire and brown wire with the live wire in the connectors (D).



4. Attach the canopy (E) to the mounting strap (B) and fix it with screws (F). Turn on the power and test.

Troubleshooting

Problem	Possible Cause	Corrective Action
Fixture does not light.	<ol style="list-style-type: none"> 1. Fixture may be wired incorrectly. 2. Worn or broken bulb. 3. Lamp socket or LED transformer (if applicable) may go bad. 	<ol style="list-style-type: none"> 1. Check wiring. 2. Replace bulb. 3. Replace lamp socket or LED transformer (if applicable).
Light bulb flickers.	<ol style="list-style-type: none"> 1. Switch Contacts are bad. 2. Wire connections are loose. 3. Light bulb socket may go bad. 	<ol style="list-style-type: none"> 1. Replace the switch. 2. Check wire connections. 3. Replace the socket.