

Installation Instruction

Wall Mounted Faucet A

Before You Begin

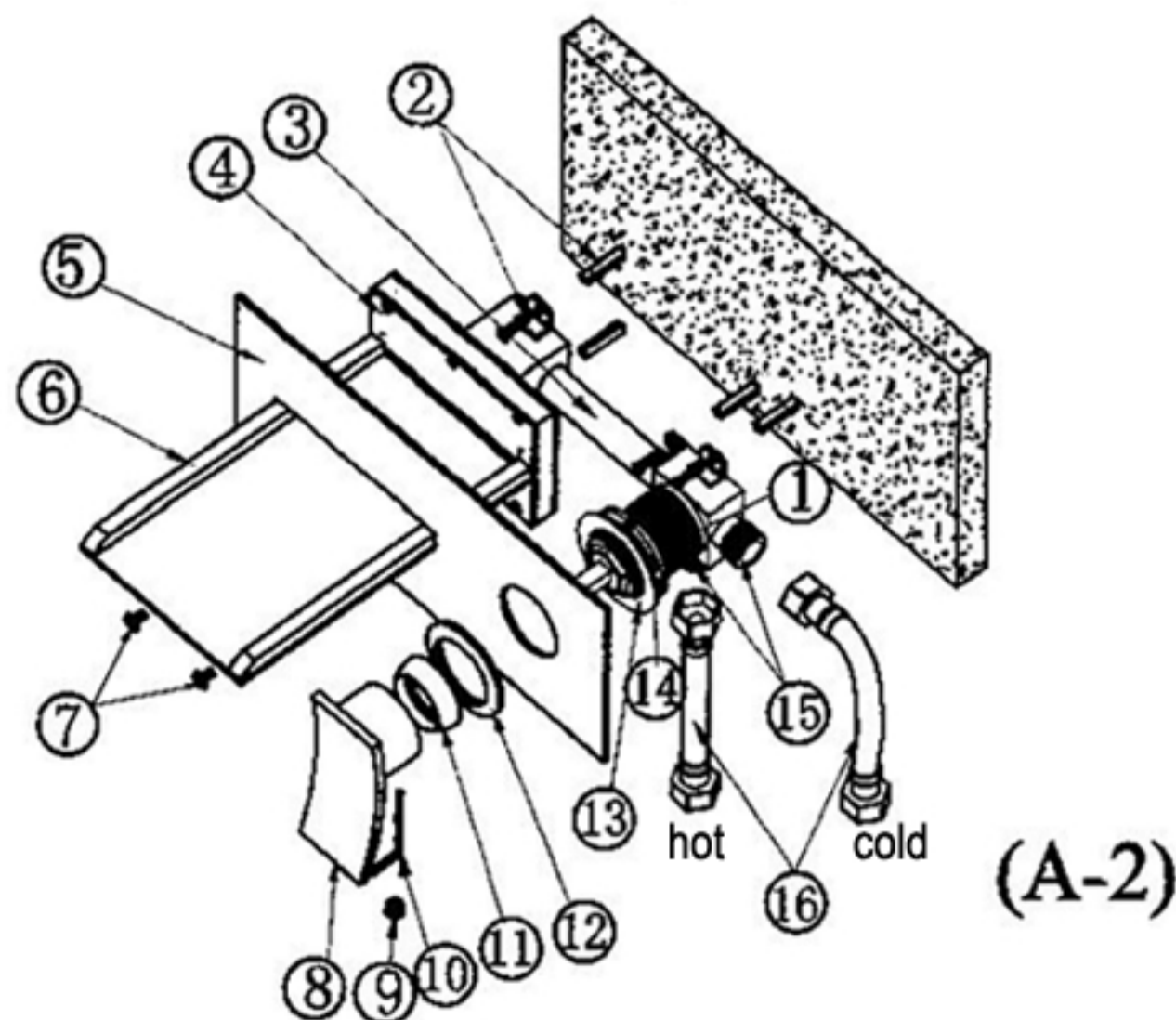
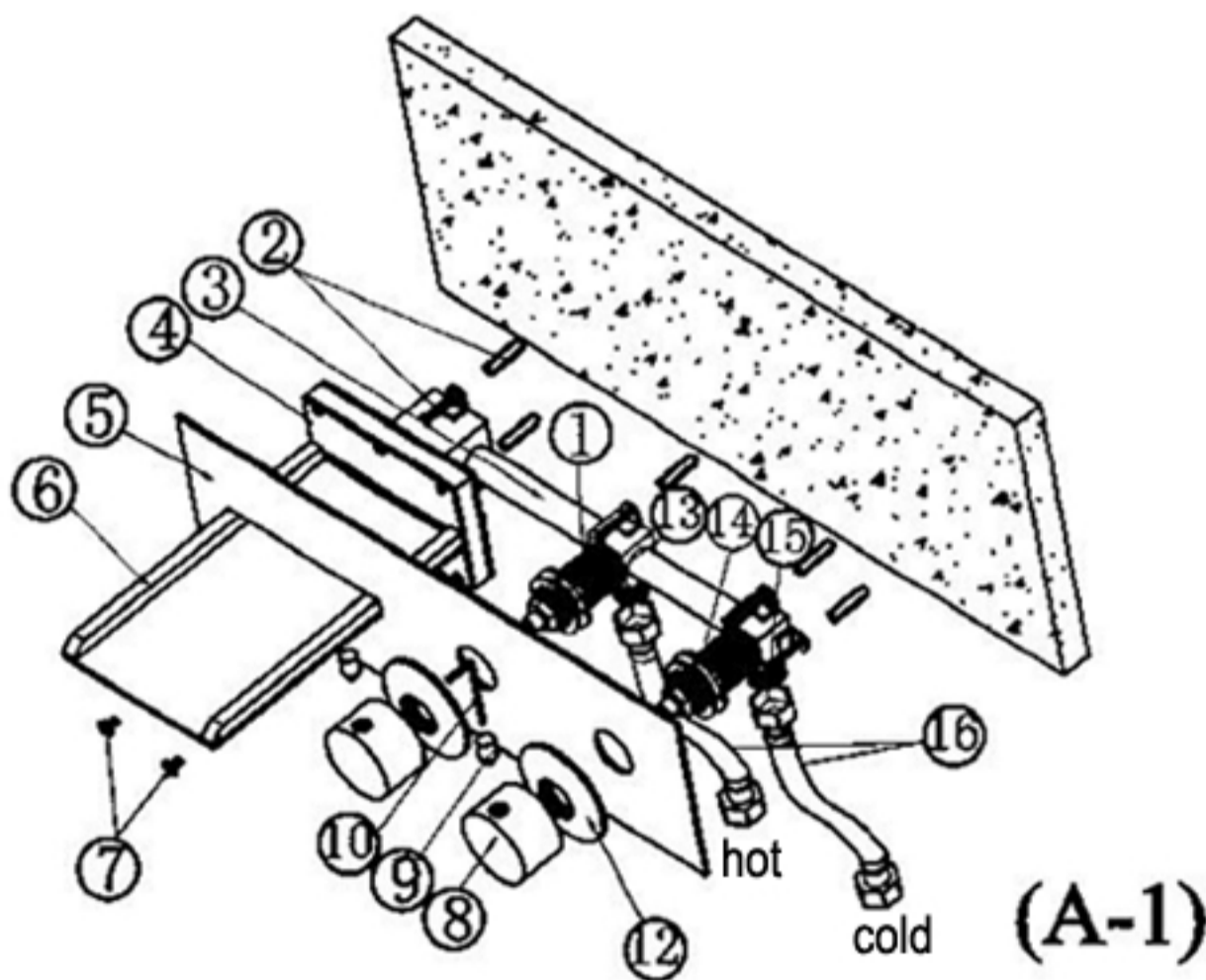
1. Shut off the main water supply.
2. Do not disassemble the main body, as it has been installed & commissioned correctly & precisely before leaving the factory.
3. To avoid the faucet from jamming, DO flush the water pipe before installation. ← IMPORTANT
4. After installation, make sure every joint is safely sealed (NO LEAKAGE).
5. Make sure to connect the hot/cold inlet pipe correctly, if standing in front, hot water pipe connecting to the left and cold water pipe connecting to the right.
6. It is recommended that installation of the product be done by a professional plumber.
7. This instruction is typical faucet installation method as the reference guide, may differ from your actual product. The installation steps are still applicable.

Cleaning & Maintenance

To keep product clean and shiny follow the instruction below.

1. Flush with clean water and dry with soft cloth only.
2. Do not use any detergent, polisher, sane-cloth, or a scraper.
3. Do not use acid detergent.

Installation



1. Connect the flexible hoses (#16) to the cold and hot water inlet (#15). [Solid copper pipes are recommended instead of the flexible hoses (#16).]
2. Fix the body (#3) to the wall with screws (#2), keep the outlet (#6) horizontal.
3. Screw the mounting nut (#14) onto the body external thread (#1) and then put the washer (#13) next to the mounting nut (#14), keeping the washer (#13) and part (#4) on the same plane surface.
4. Cross the decoration board (#5) over the outlet (#6) and body external thread (#1). Fix the decoration board (#5) to part (#4) with screws (#7).
5. Fix nut (#12) and decorative cap (#11).
6. Assemble the handle (#8) over the decorative cap (#11) with the alley key (#10), put on the indication button (#9).
7. Connect the end of the flexible hoses (#16) to the main water supply line.