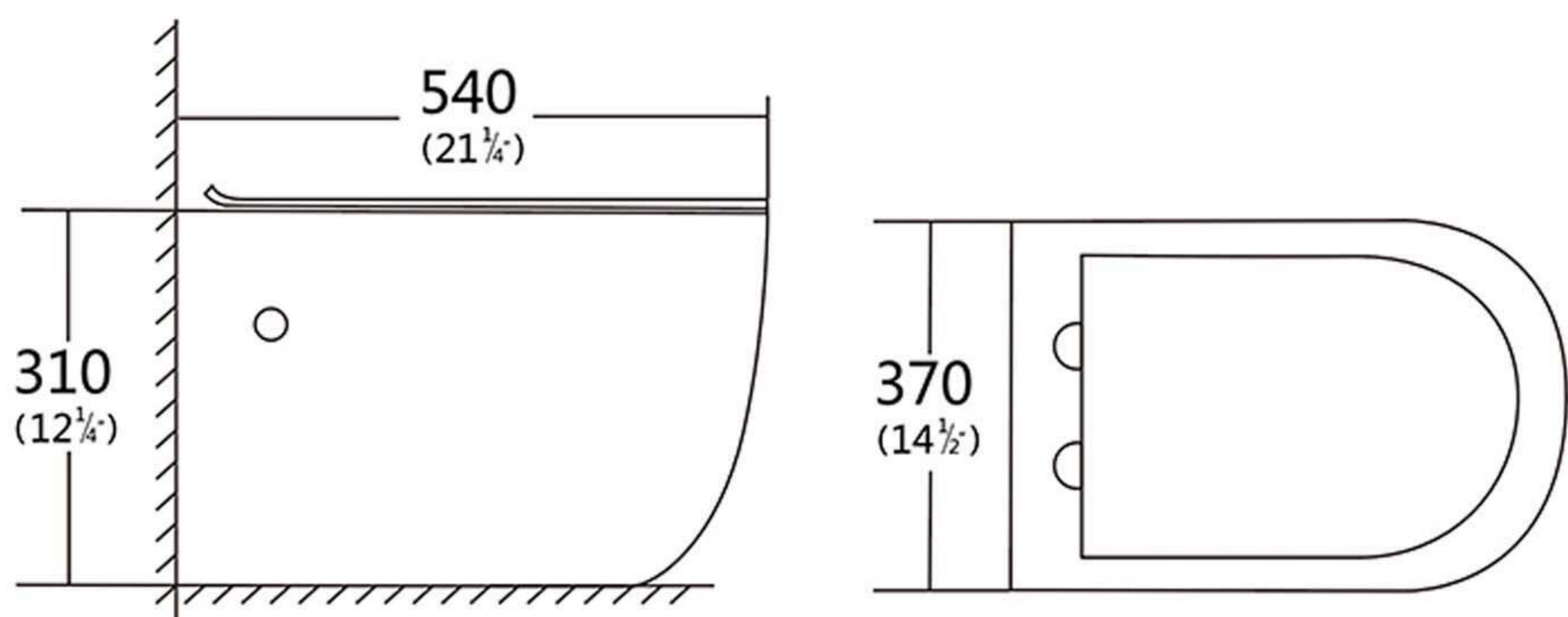


# HM-020018

Dual Flush 1.1/1.6GPF  
4.0/6.0LPF

## Features

Wall Mount  
Rimless washdown flush system  
UF/PP seat cover  
P-trap  
Elongated bowl  
Factory flush-tested  
ADA compliant  
High efficiency  
21-1/4" x14-1/2" x12-1/4" (540x370x310mm)  
Vitreous china



## Components

Installation screw  
Toilet seat cover

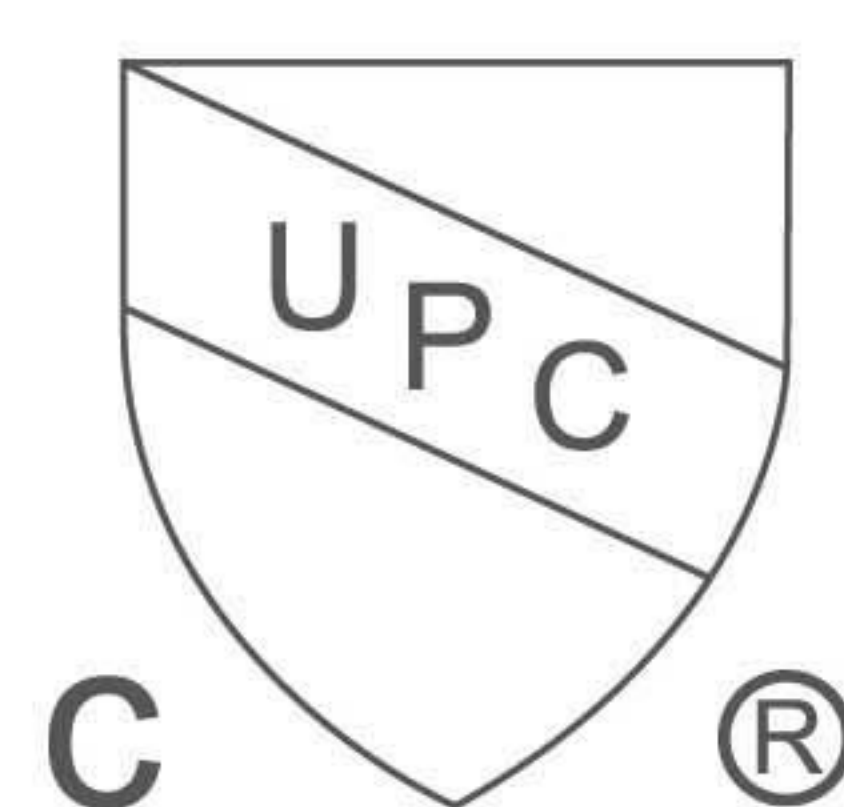


## Codes & Standards

Codes: Uniform Plumbing Code (UPC®)  
National Plumbing Code of Canada  
Standards: ASME A112.19.2-2013/CSA B45.1-13  
including Update No. 1 dated October 2013  
and ASME A112.19.14-2013

## Certifications

IAPMO(cUPC) File No.: 11135



# Tank

