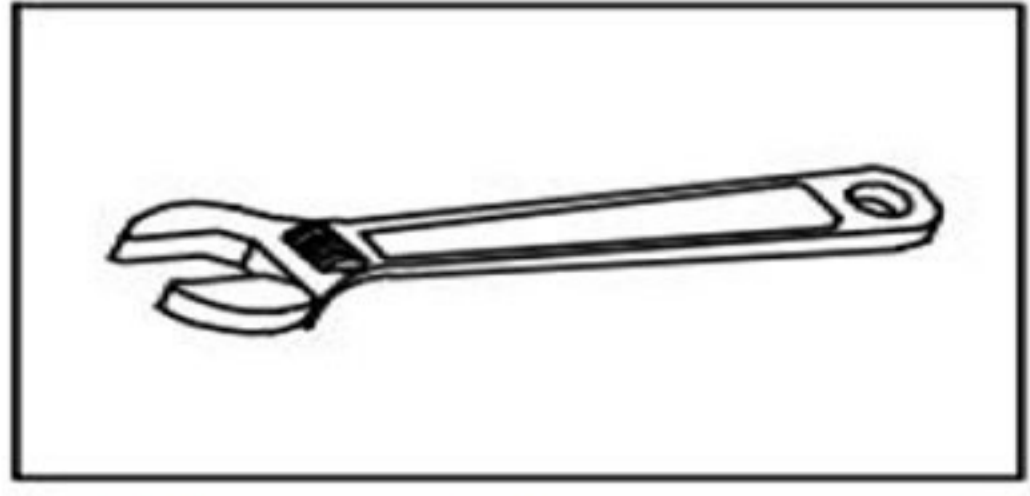
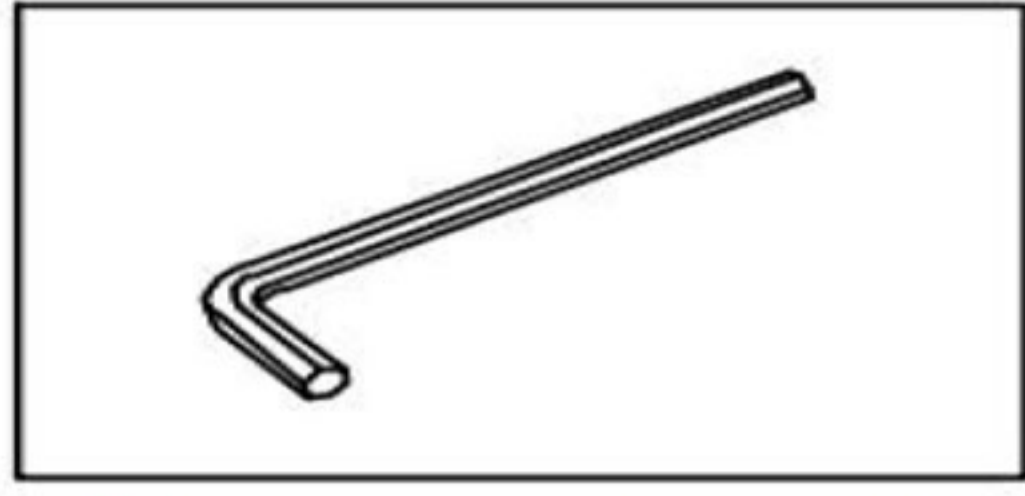


Bathroom Sink Faucet Installation

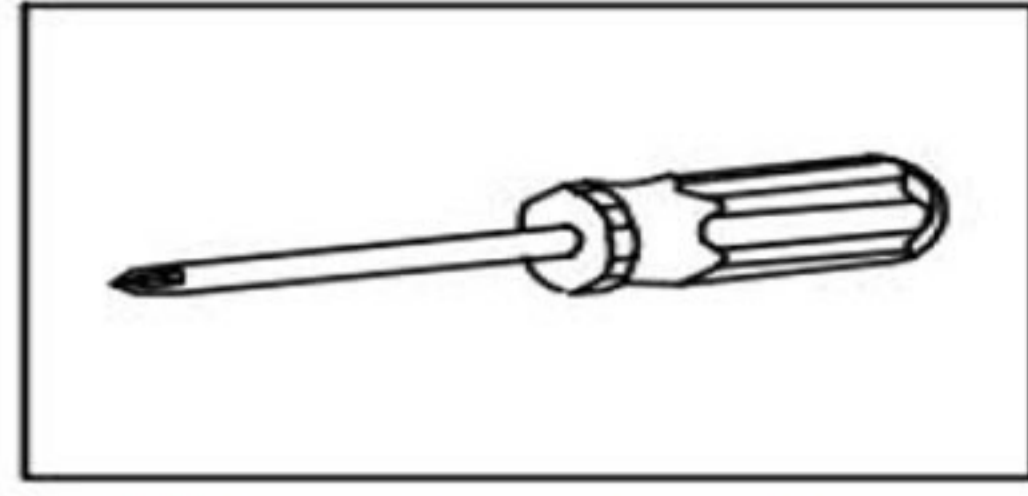
INSTALLATION MANUAL Tools You Will Need:



Adjustable wrench



Hexagon wrench



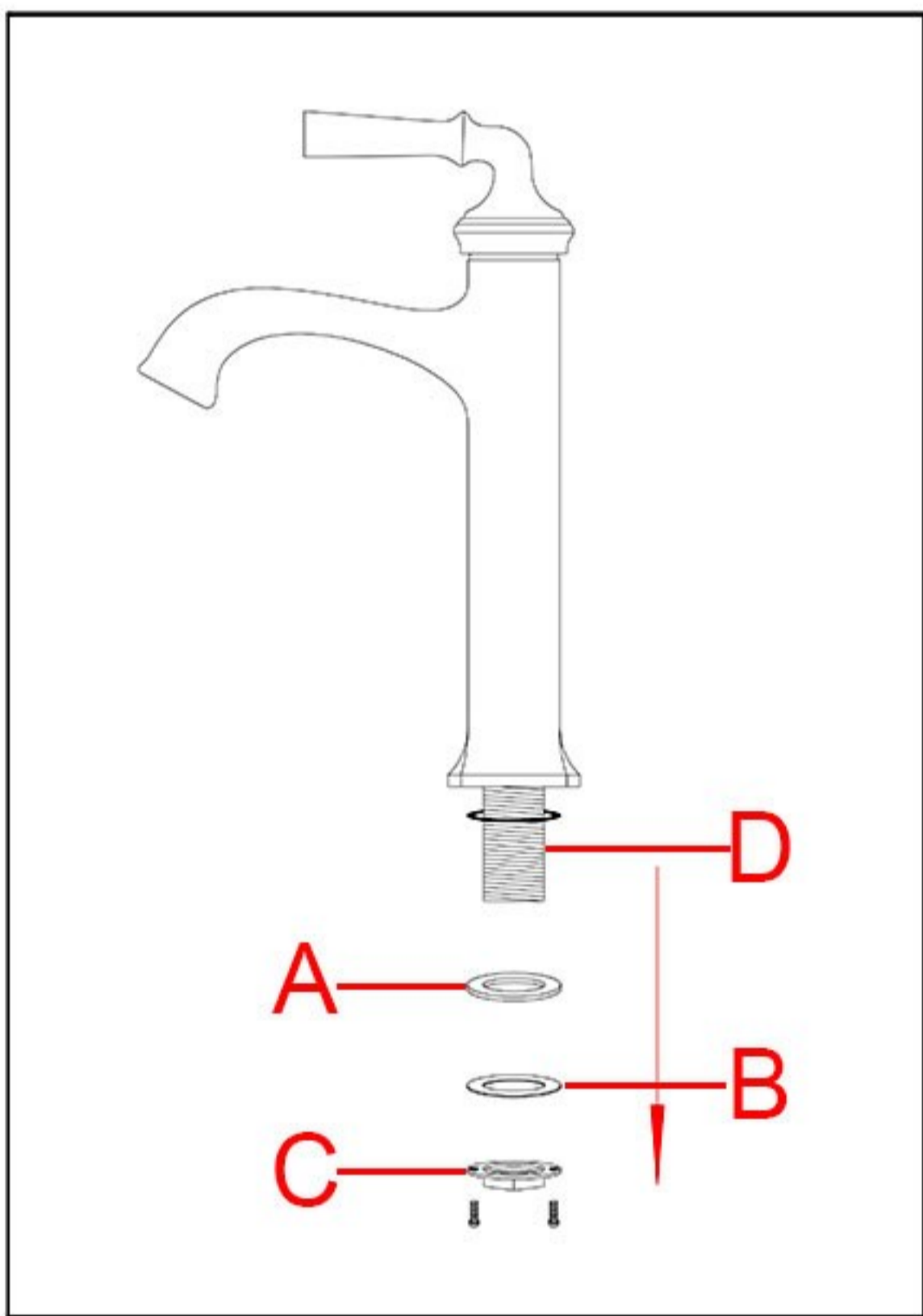
Philips Screwdriver

Before the Installation

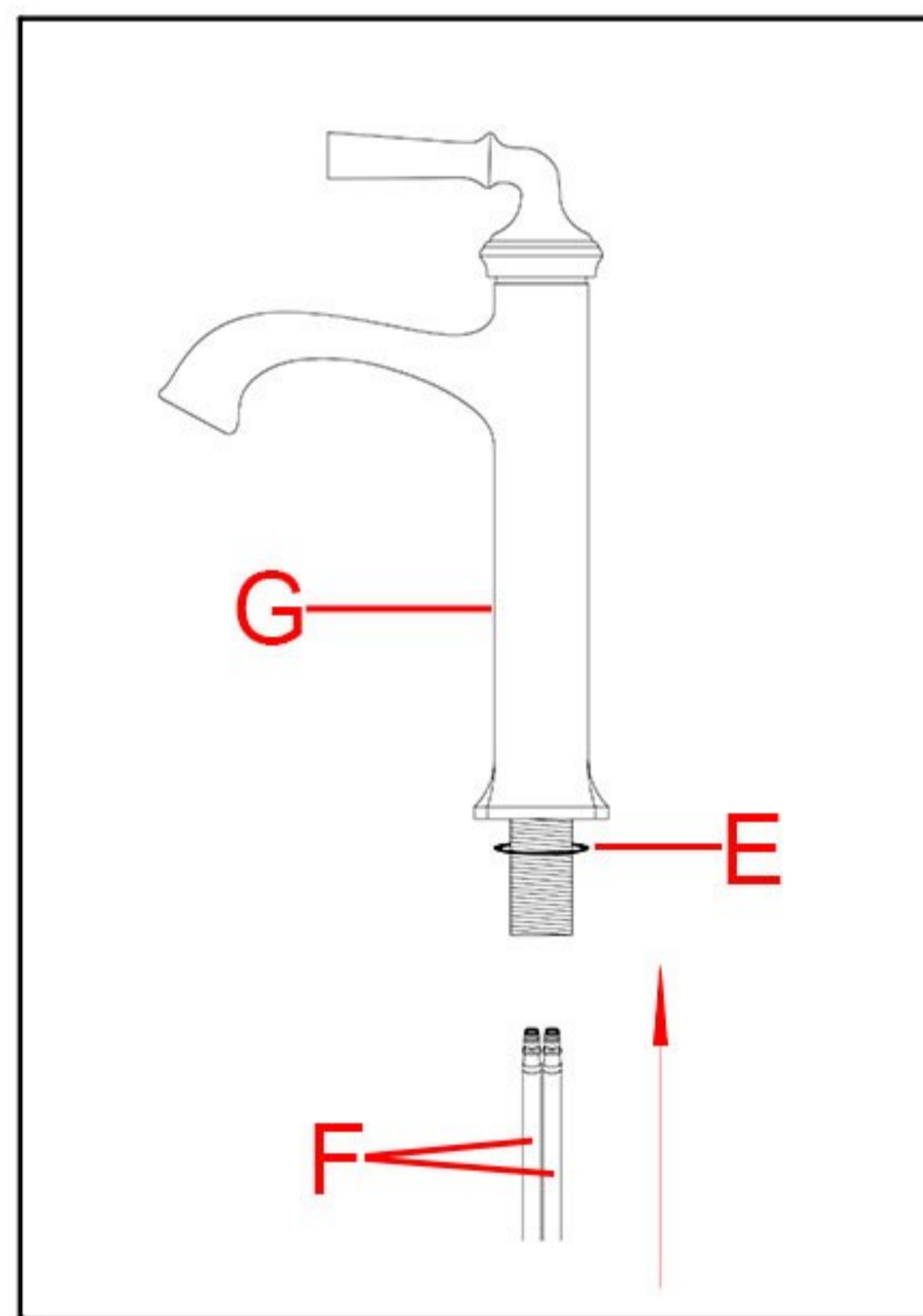
1. Check the package and confirm all parts are included. If any part is missing or damaged, please contact us.
2. Do not disassemble the main body, as it has been installed & commissioned correctly & precisely before leaving the factory.
3. Shut off the main water supply prior to beginning installation.
4. Do flush the water supply lines to remove any dirt and debris before installation (**IMPORTANT**).
5. Make sure to connect the hot/cold inlet pipe correctly. If standing in front, connect hot water pipe to the left and cold water pipe to the right.
6. After the installation, check for leaks and make sure every joint is safely sealed.

Cleaning and Maintenance

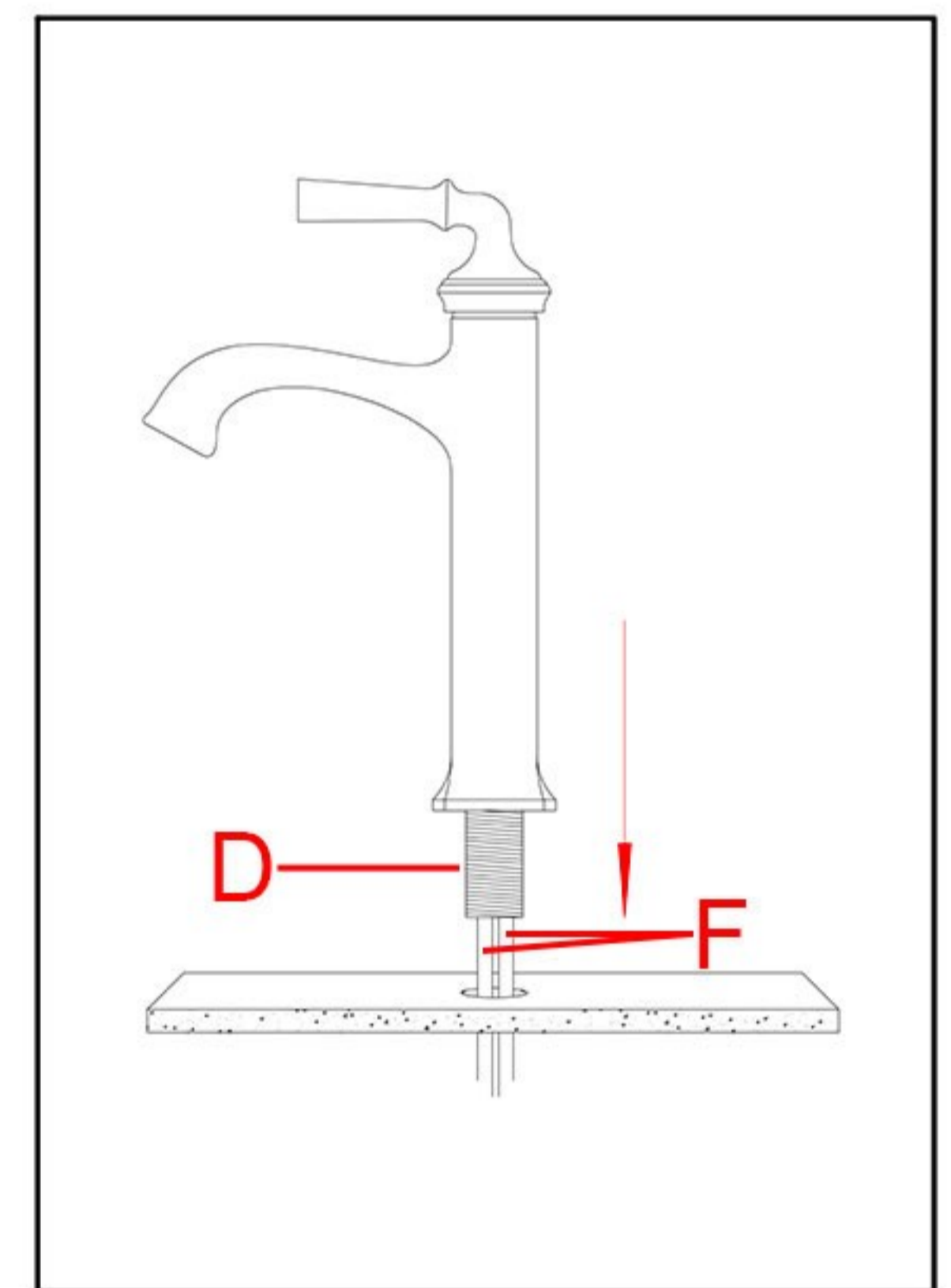
1. Rinse with clean water and dry with a soft cloth.
2. Do not use any detergent, acid, polisher, abrasives, or harsh cleaners.
3. Do not use cloth with a coarse surface.



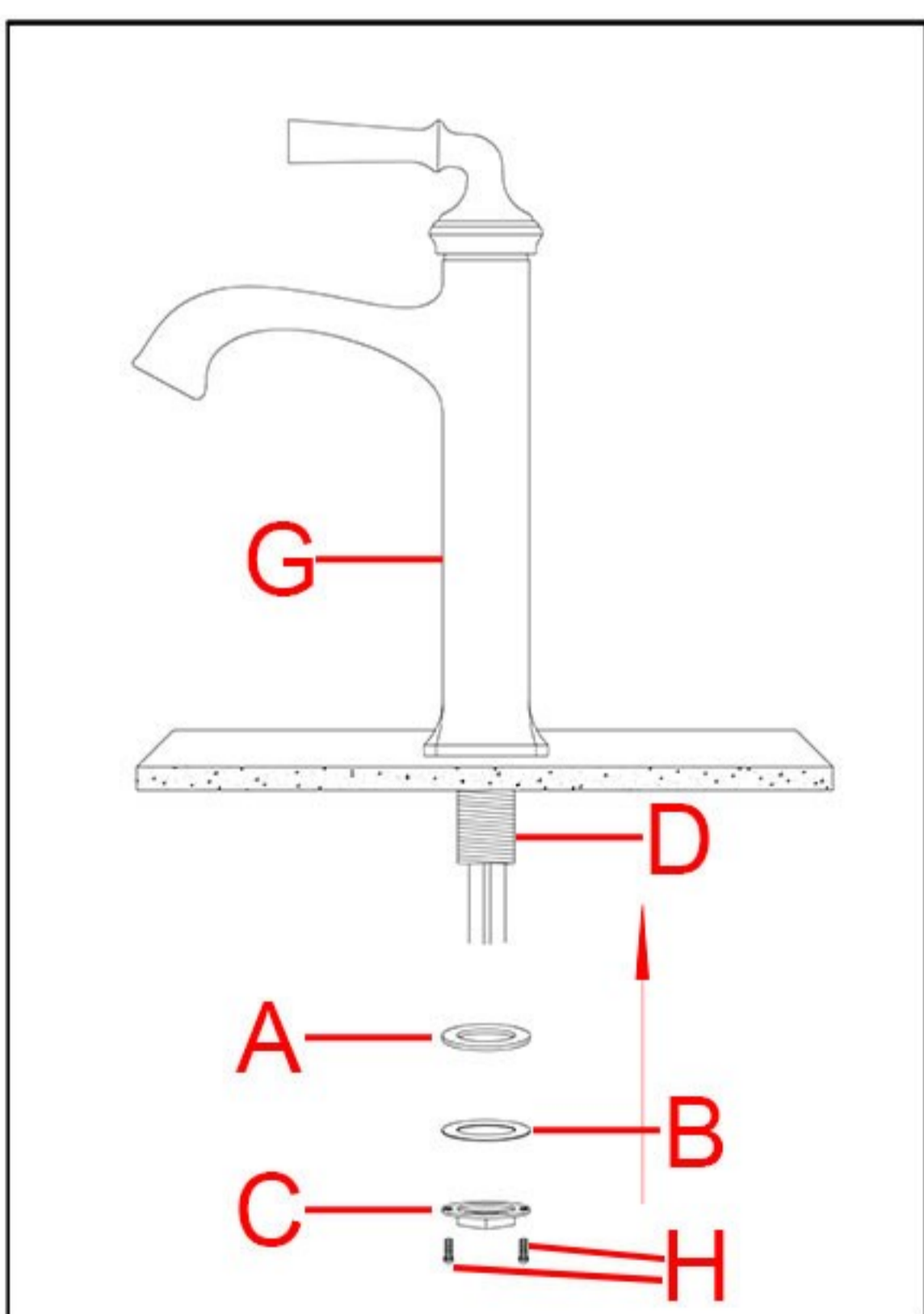
1. Remove the mounting nut (C), metal washer (B), and rubber washer (A) from the threaded pipe (D).



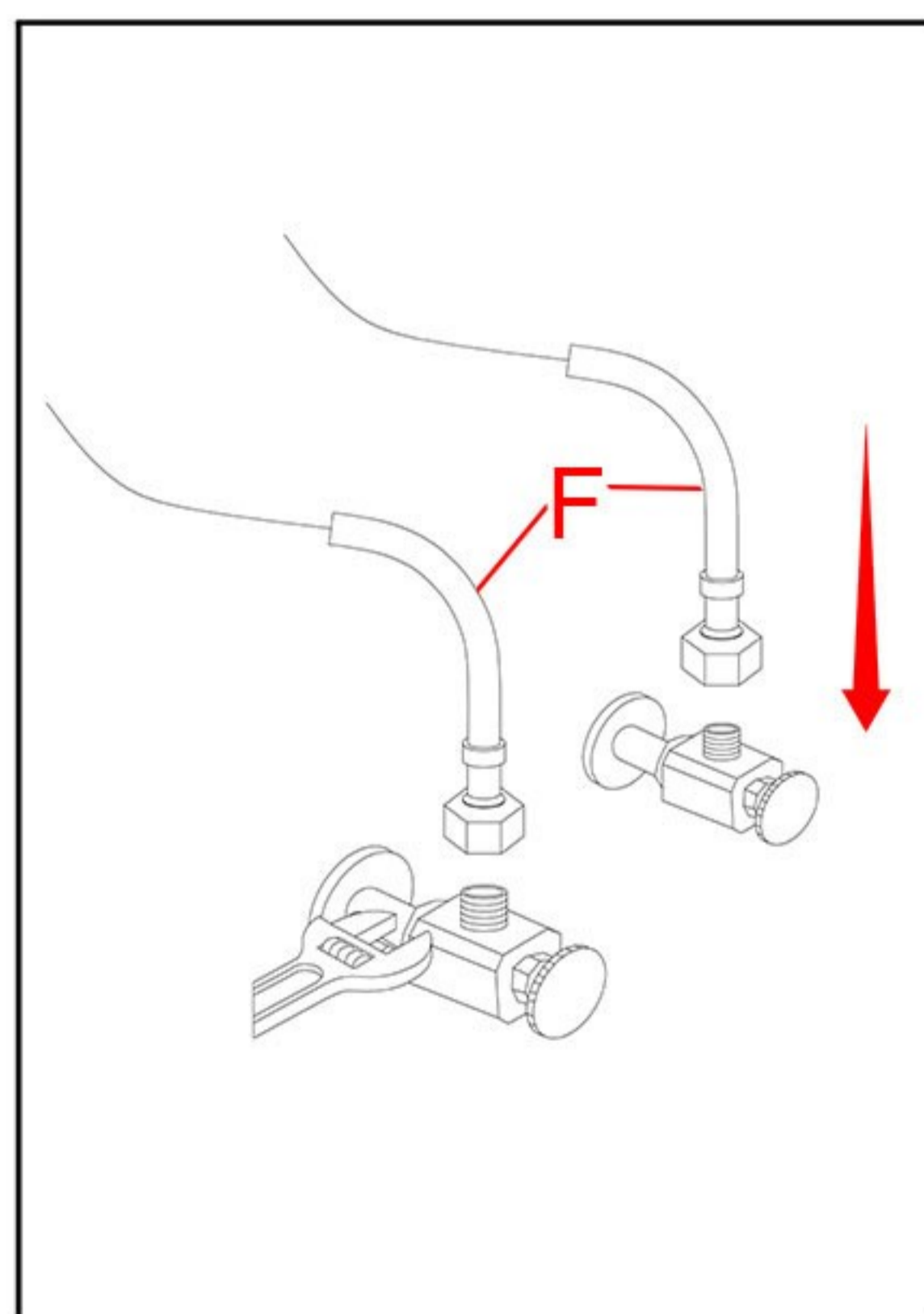
2. Fit the O-ring (E) into the groove of the faucet body. Screw waterlines (F) into the corresponding screw-hole of the faucet body (G).



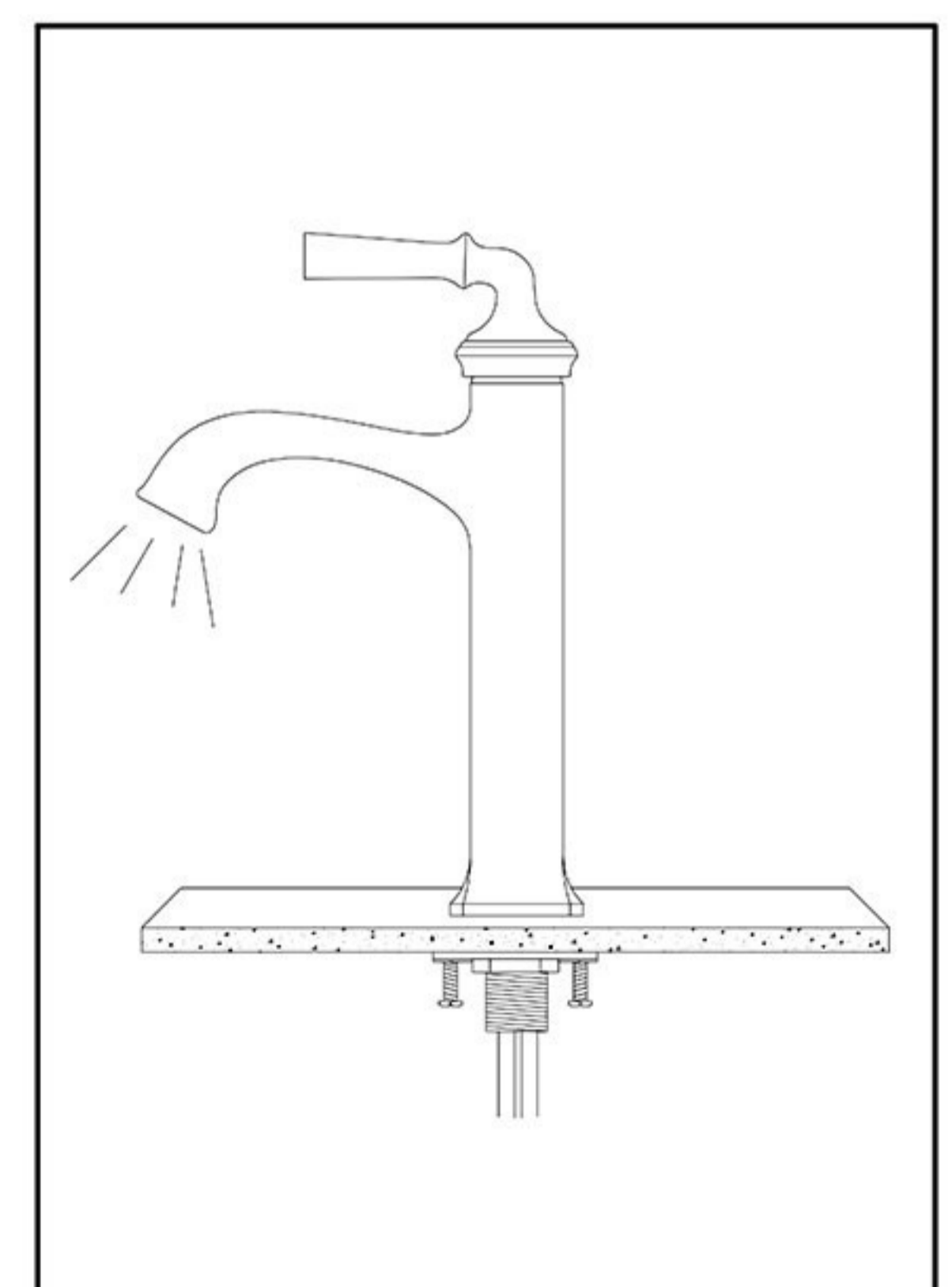
3. Insert waterlines (F) and threaded pipe (D) into the hole of the sink. (**Note:** For 3-hole installation, an escutcheon is needed.)



4. Install rubber washer (A), metal washer (B), and mounting nut (C) back to the threaded pipe (D). Adjust the faucet body (G) correctly and secure with mounting screws (H) tightly.



5. Connect waterlines (F) to angle stops. Turn on the angle stops and check for leaks (**DO NOT TURN FAUCET ON**).



6. Turn faucet on for 1 minute to flush any debris.