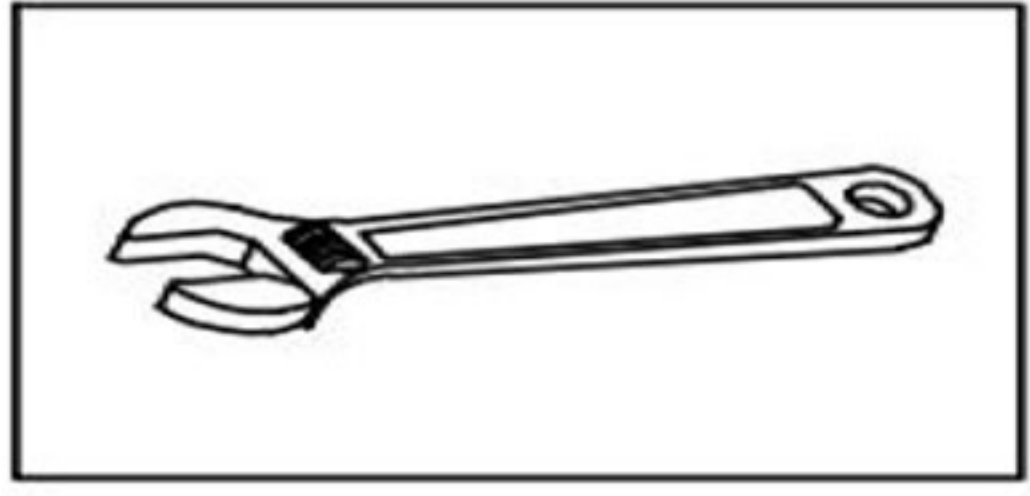
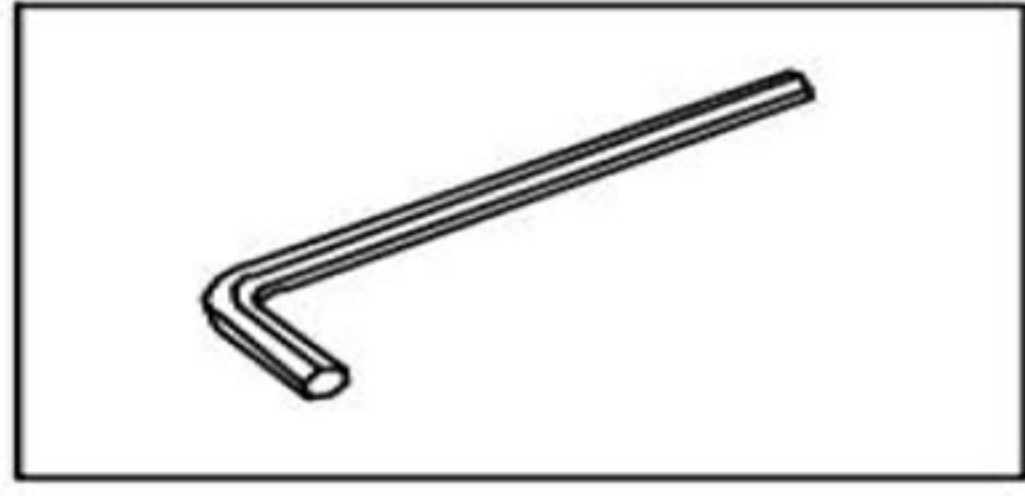


Roman Tub Faucet Installation

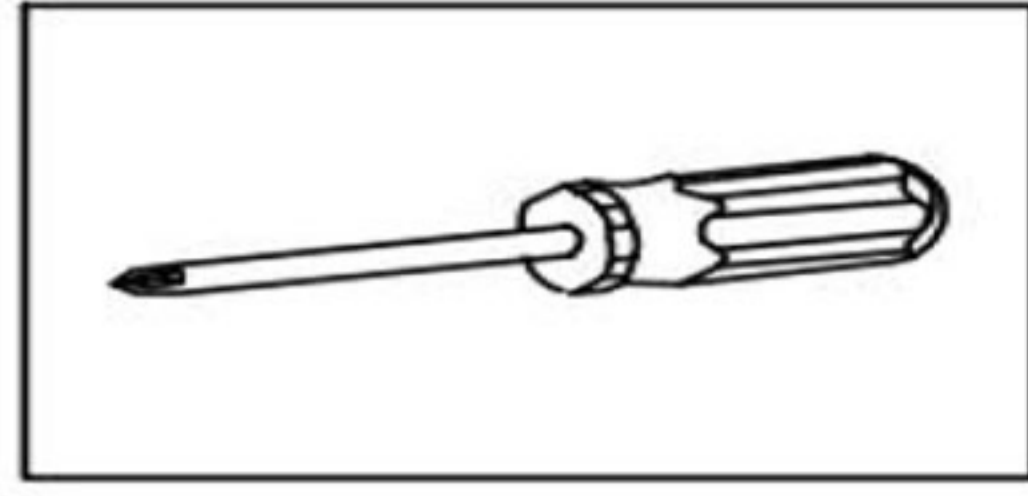
INSTALLATION MANUAL Tools You Will Need:



Adjustable wrench



Hexagon wrench



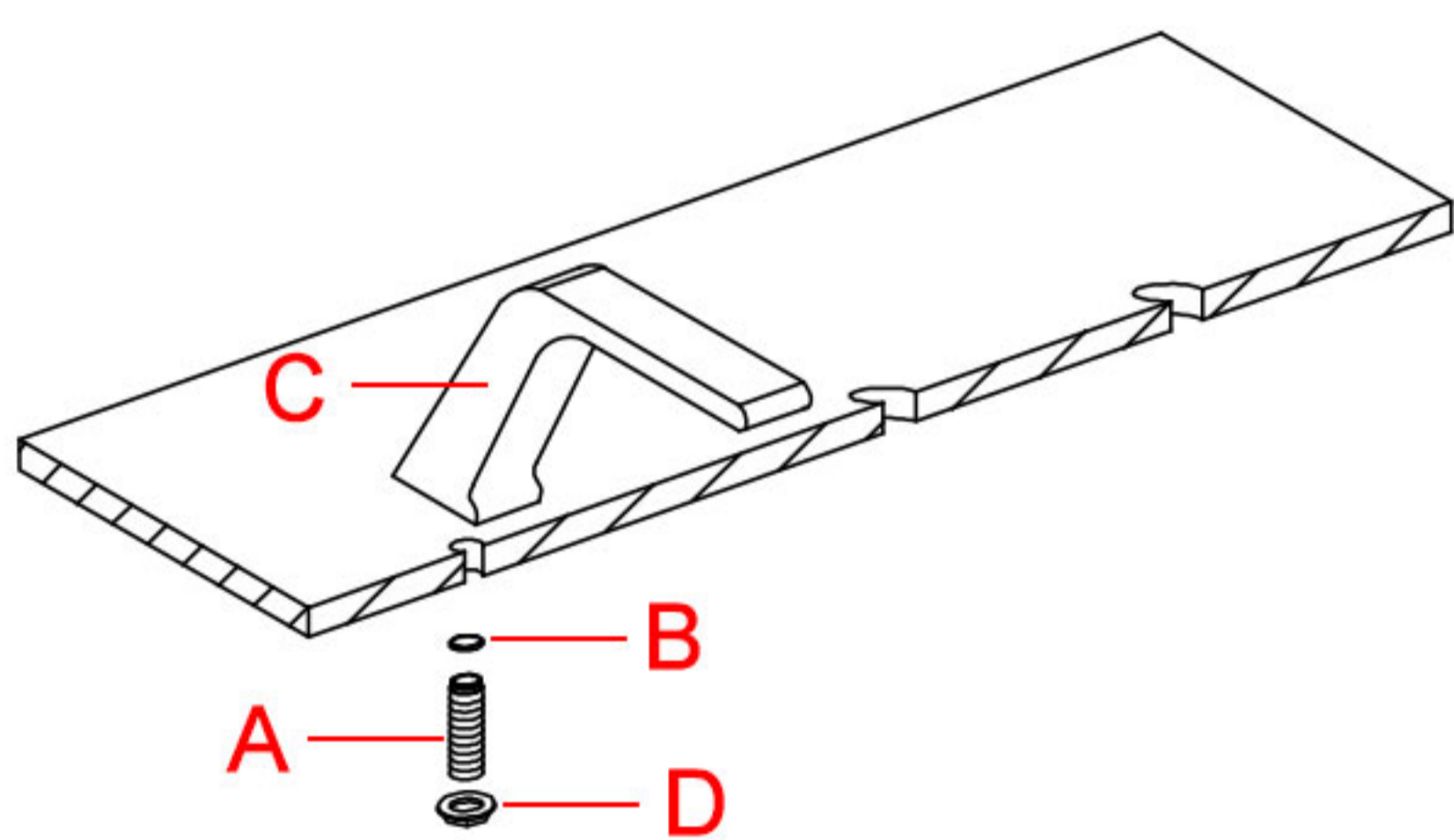
Philips Screwdriver

Before the Installation

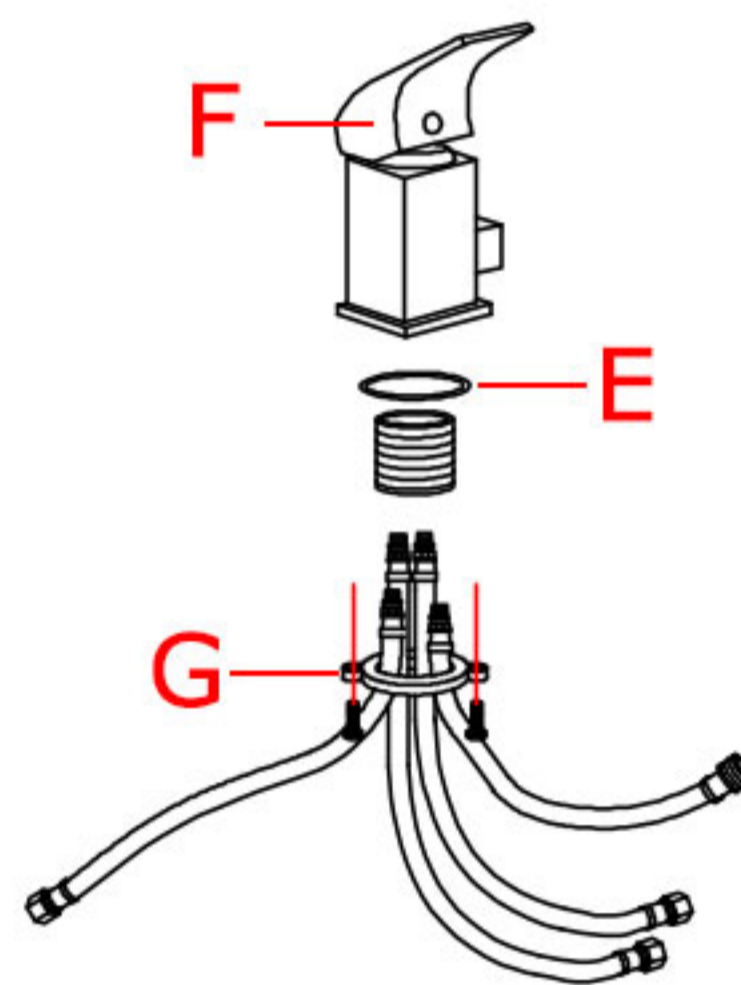
1. Check the package and confirm all parts are included. If any part is missing and damaged, please contact us.
2. Do not disassemble the main body, as it has been install & commissioned correctly & precisely before leaving the factory.
3. Shut off the main water supply prior to beginning installation.
4. Do flush the water supply lines to remove any dirt and debris before installation (**IMPORTANT**).
5. Make sure to connect the hot/cold inlet pipe correctly. If standing in front, connect hot water pipe to the left and cold water pipe to the right.
6. After the installation, check for leaks and make sure every joint is safely sealed.

Cleaning and Maintenance

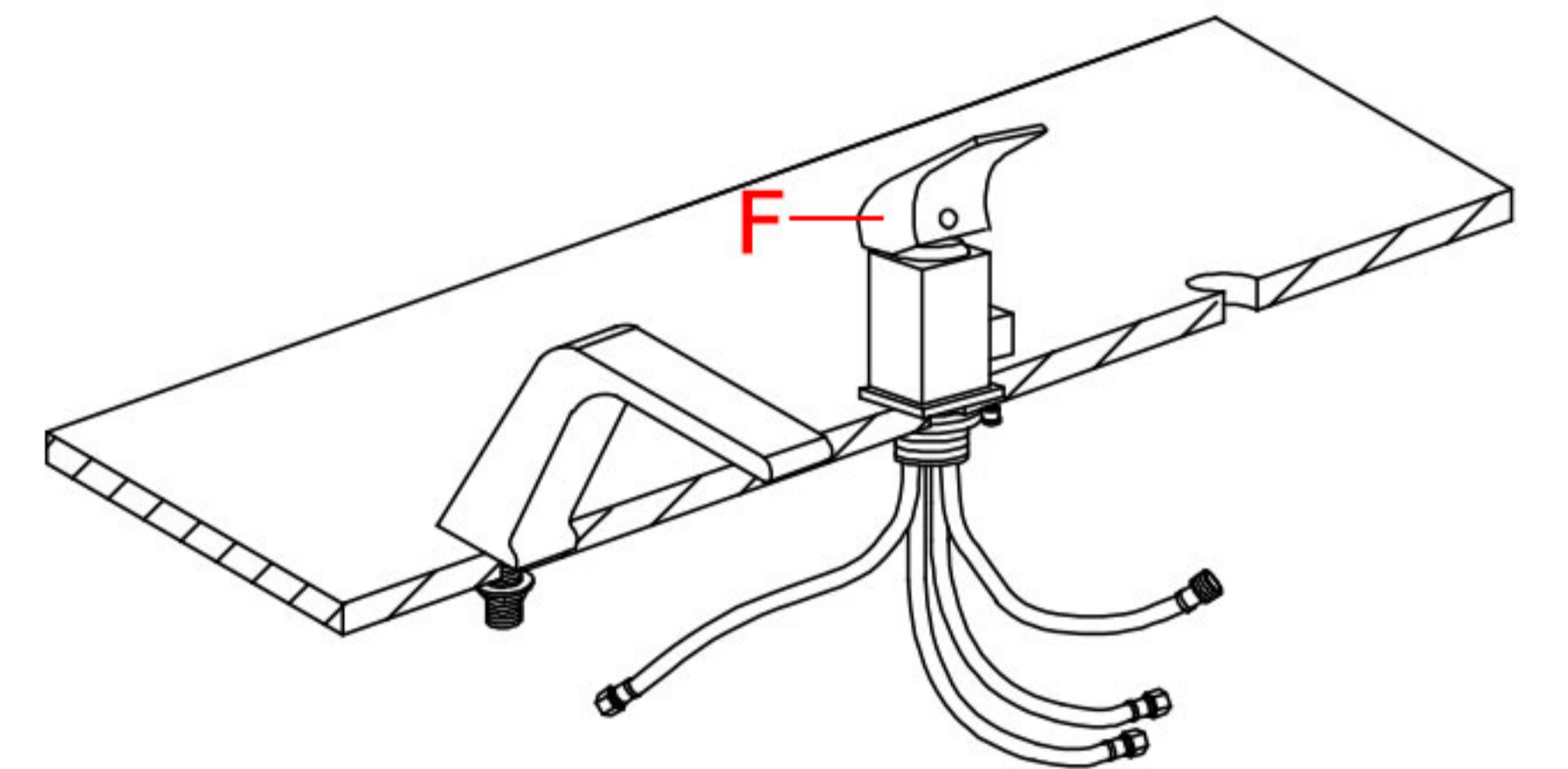
1. Rinse with clean water and dry with a soft cloth.
2. Do not use any detergent, acid, polisher, abrasives, or harsh cleaners.
3. Do not use cloth with a coarse surface.



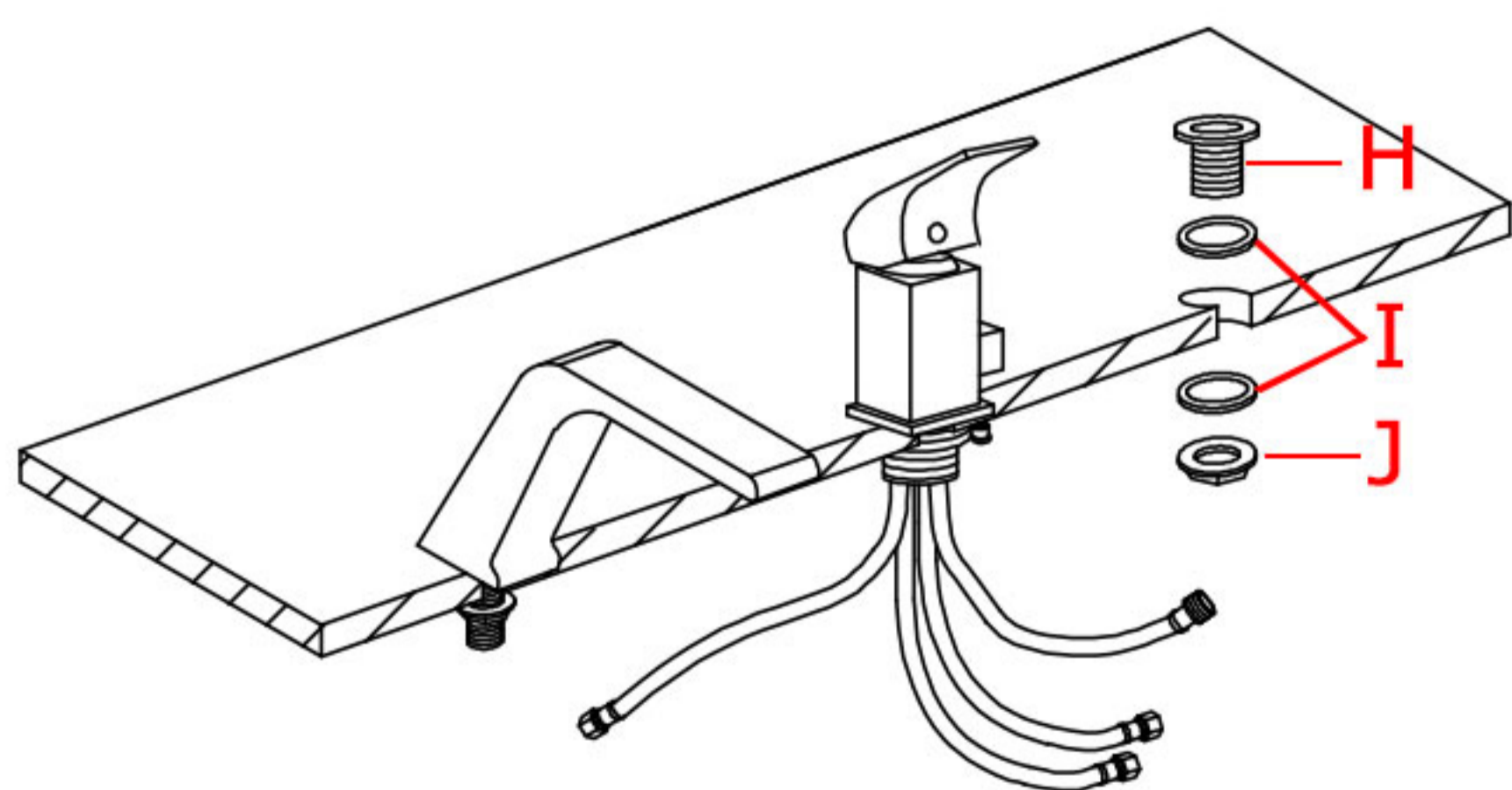
1. Add the rubber washer (B), screw threaded pipe (A) into spout body (C). Insert the spout body (C) into the specified drill hole on the countertop, then screw the mounting nut (D) underneath the countertop. Make sure to fix the spout body correctly.



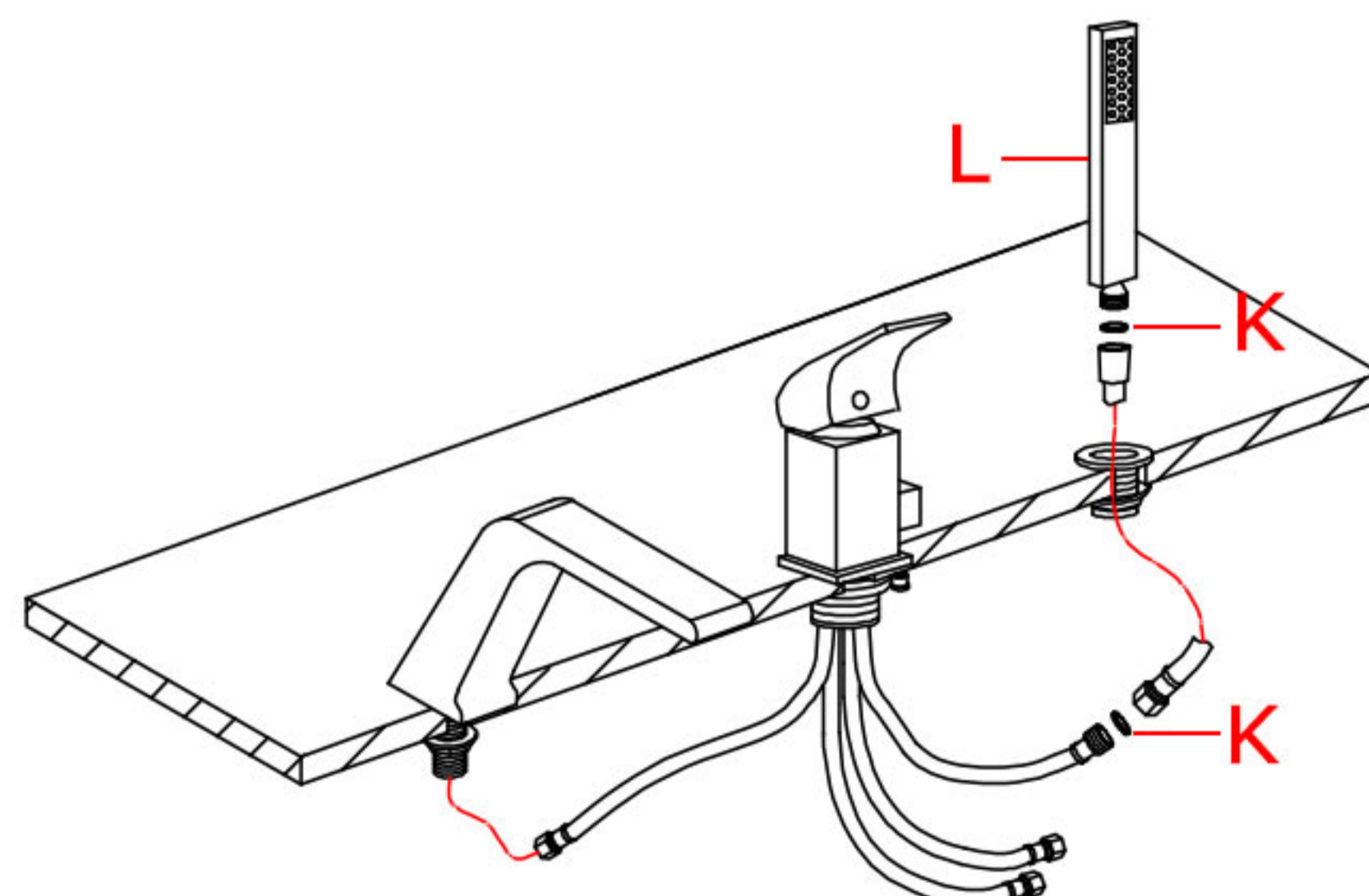
2. Fit the O-ring (E) into the bottom groove of the handle (F). Screw waterlines into the corresponding screw-hole of the handle (F). Then, insert the handle (F) and waterlines through the countertop. Put on mounting nut (G) underneath the countertop.



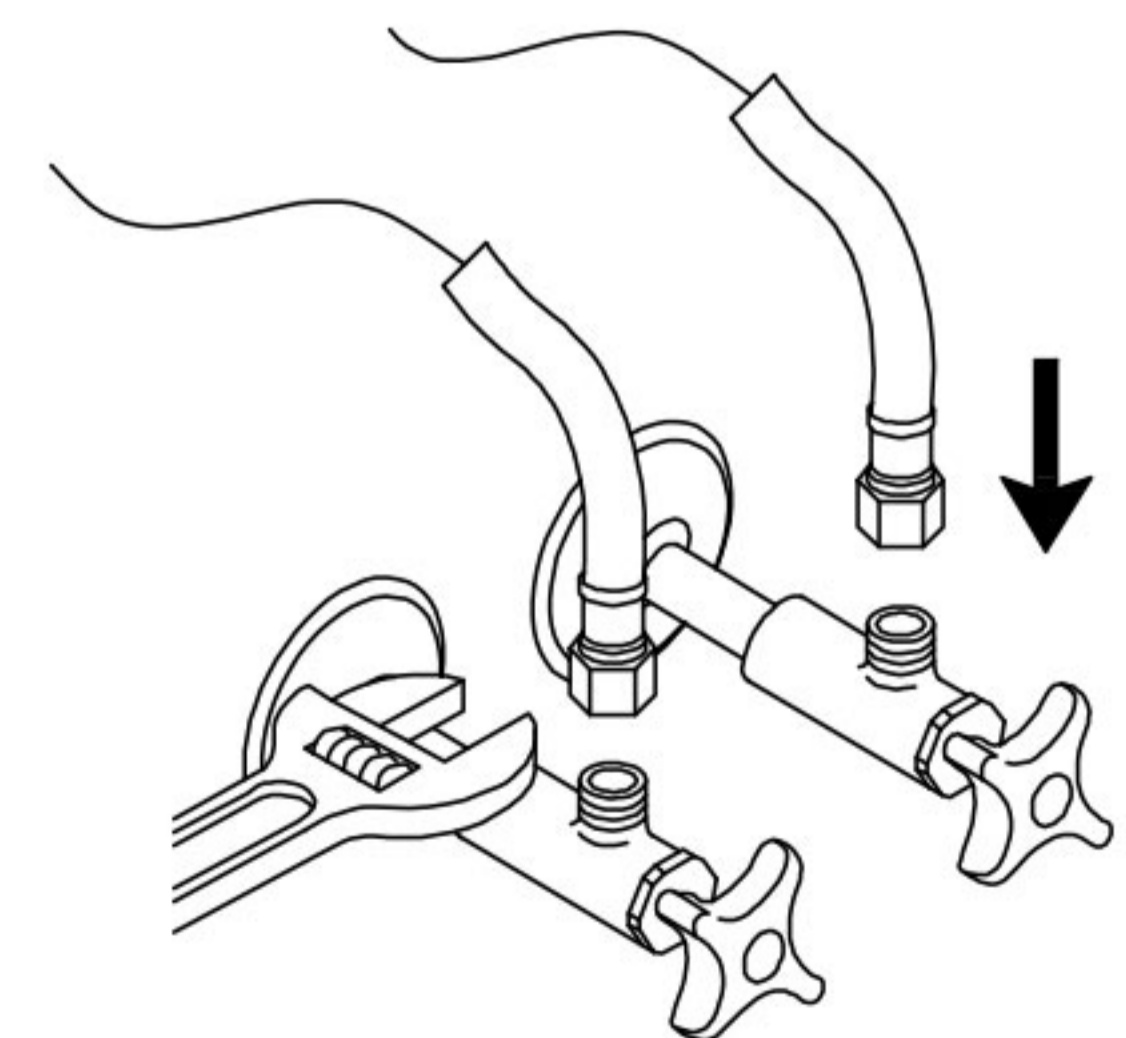
3. Fix the handle (F) correctly and tighten the mounting nut with screws securely.



4. Insert the hand shower holder (H) into the specified drill hole. Put on the rubber washers (I) and screw in the mounting nut (J) securely underneath the countertop.



5. Add rubber washer (K) to both ends and connect the shower hose to the hand shower (L) and then to the corresponding waterline onto the bottom of the handle.



6. Connect the hot & cold waterlines to the main water supply line.