

# Installation Instruction

## Before You Begin

1. Shut off the main water supply.
2. Do not disassemble the main body, as it has been installed & commissioned correctly & precisely before leaving the factory.
3. To avoid the faucet from jamming, DO flush the water pipe before installation.
4. After installation, make sure every joint is safely sealed (NO LEAKAGE).
5. Make sure to connect the hot/cold inlet pipe correctly, if standing in front, hot water pipe connecting to the left and cold water pipe connecting to the right.
6. It is recommended that installation of the product be done by a professional plumber.

## Cleaning & Maintenance

To keep product clean and shiny follow the instruction below.

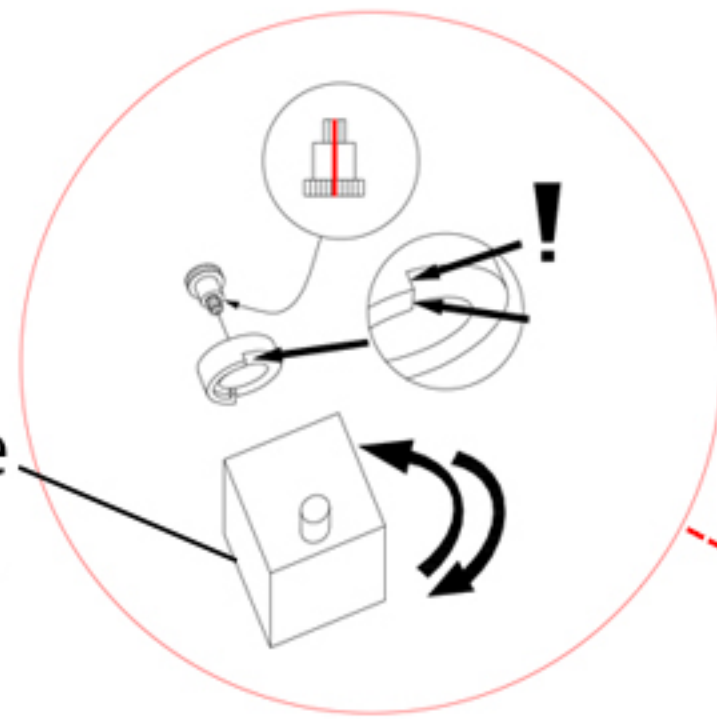
1. Flush with clean water and dry with soft cloth only.
2. Do not use any detergent, polisher, sane-cloth, or a scraper.
3. Do not use acid detergent.

## Installation

Clockwise→cooler water

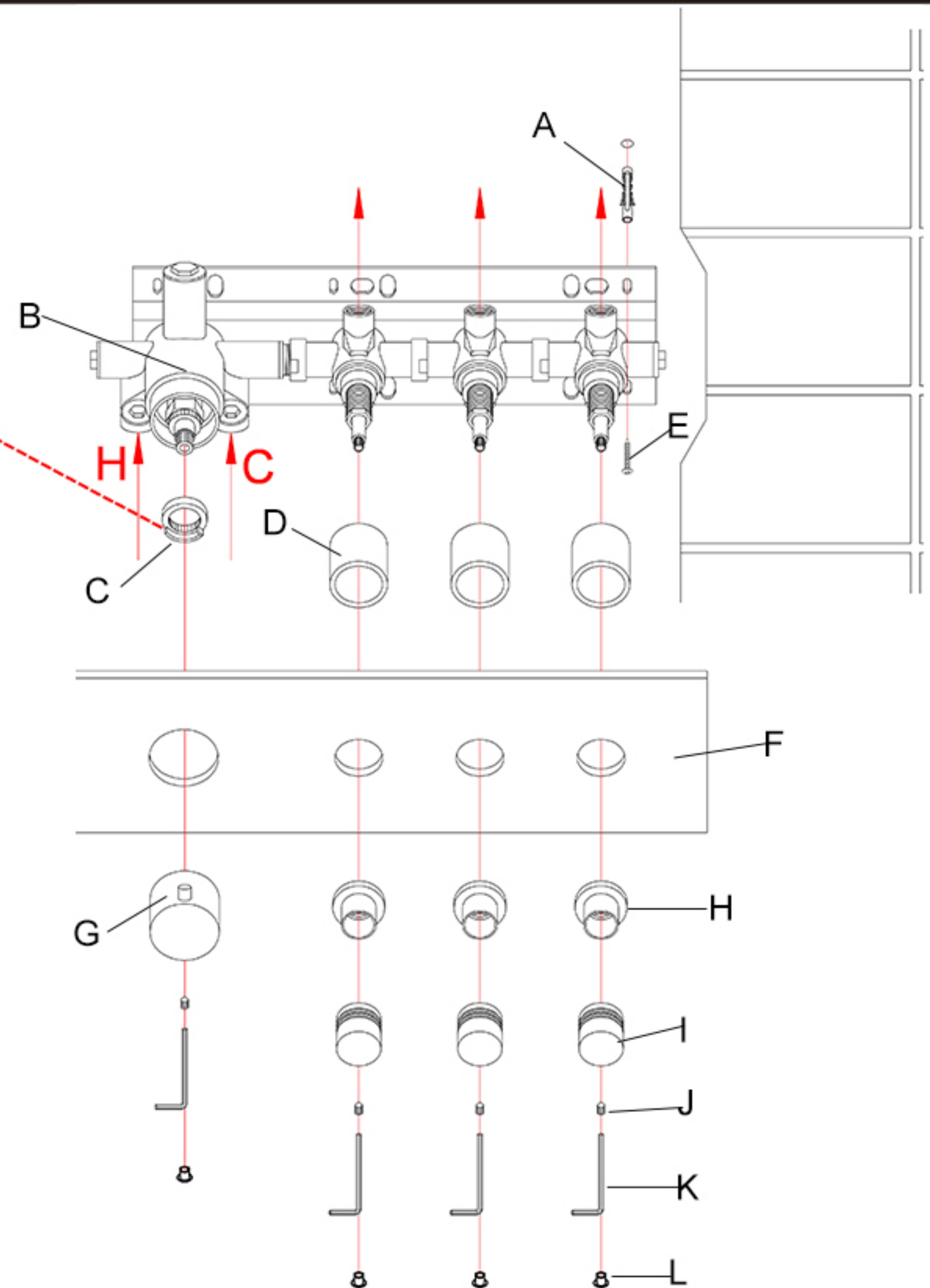
Counterclockwise→warmer water

To override the safety stop, press the override button and turn the handle counter-clockwise.



### Set the High Temperature Limit Stop

1. Remove the maximum temperature stop from the cartridge stem.
2. Turn the water on to one of the functions.
3. Use the handle to turn the cartridge stem until the output water is the desired high temperature.
4. Fit the maximum temperature stop. The orientation is shown in the picture above.
5. Fit the handle with the override button in the 12 o'clock position. Once in place, tighten the set screw and put on the indication button.



1. Mark the position and drill holes to suit anchors (A). Fix the shower valve (B) into the wall with screws (E). Use a level to ensure that the valve is straight and level. (Important: Flush the water supply pipes to remove any dirt and debris before installing the valve body.)
2. Wrap Teflon tape around the pipe threads. Connect hot and cold water supply lines and the all-in wall pipes ( not included) as desired to the shower valve (B). Turn on the water supply and open the cartridge to check for leaks. Then, put on the protective cover (not included).
3. Remove the protective cover when the finished wall is completed and install the maximum temperature stop (C) and plastic sleeves (D) to the shower valve (B). And then install the escutcheon (F) onto the shower valve (B) and press it against the finished wall.
4. Install the base (H), handles (I) and diverter knob (G), tighten set screws (J) with Allen key (K), and put on the indication buttons (L).