

## PARTS LIST

No.	PART NAME	QTY	RAW MATERIAL
1	Spray Valve	1	Stainless steel&Brass&POM
2	Flexible Hose	1	Stainless steel
3	Ring	1	Stainless steel
4	Finger Hook	1	Stainless steel
5	Riser Pipe	1	Stainless steel
6	Wall Bracket	1	Stainless steel
7	Main Body	1	Brass & Zinc alloy
8	Swing Nozzle	1	Stainless steel
9	Add-on Faucet	1	Brass
10	3"Tube	1	Stainless steel
11	Spare Kit	1	Metal&Plastic

## ATTENTION:

### Why faucet leak?

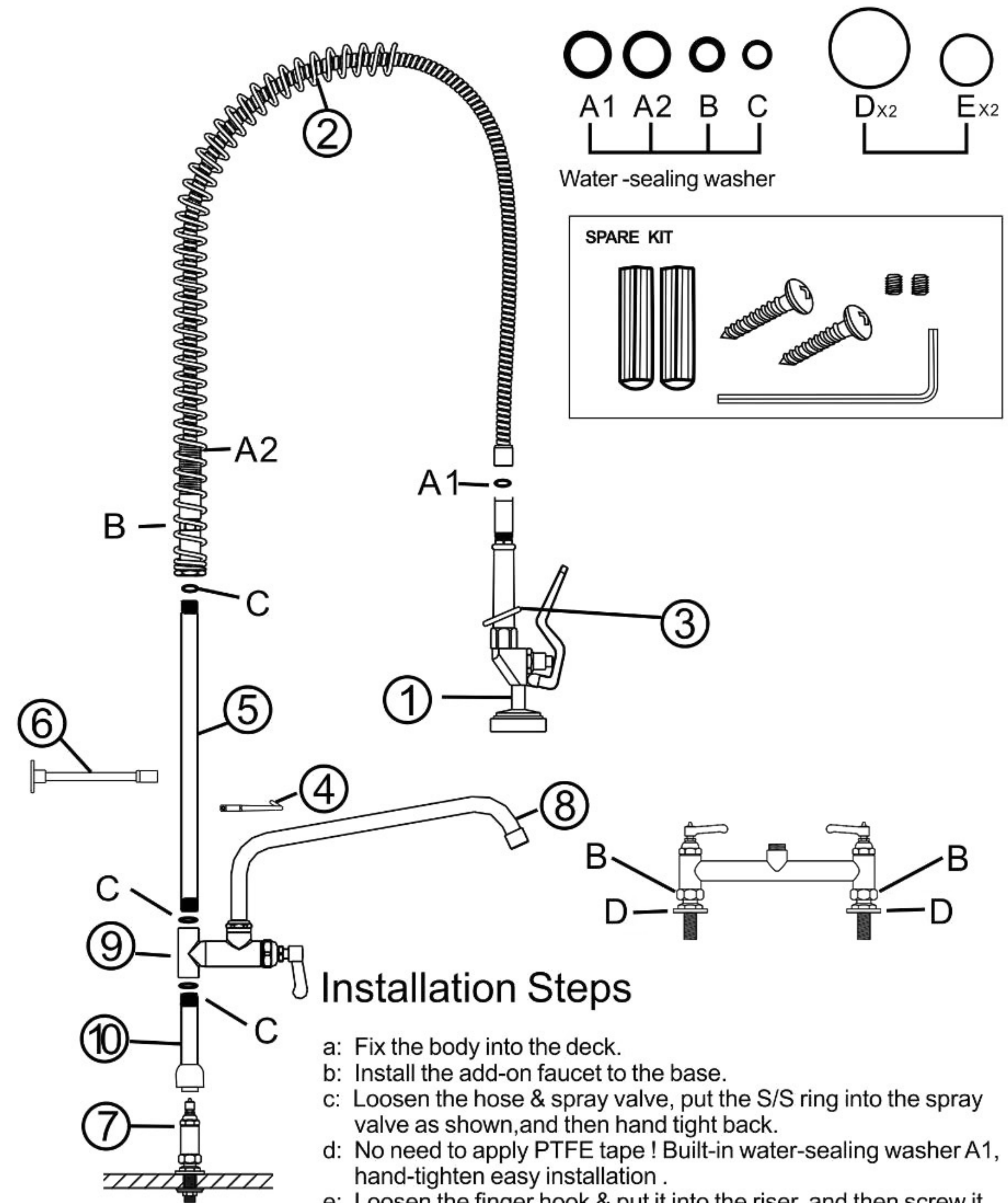
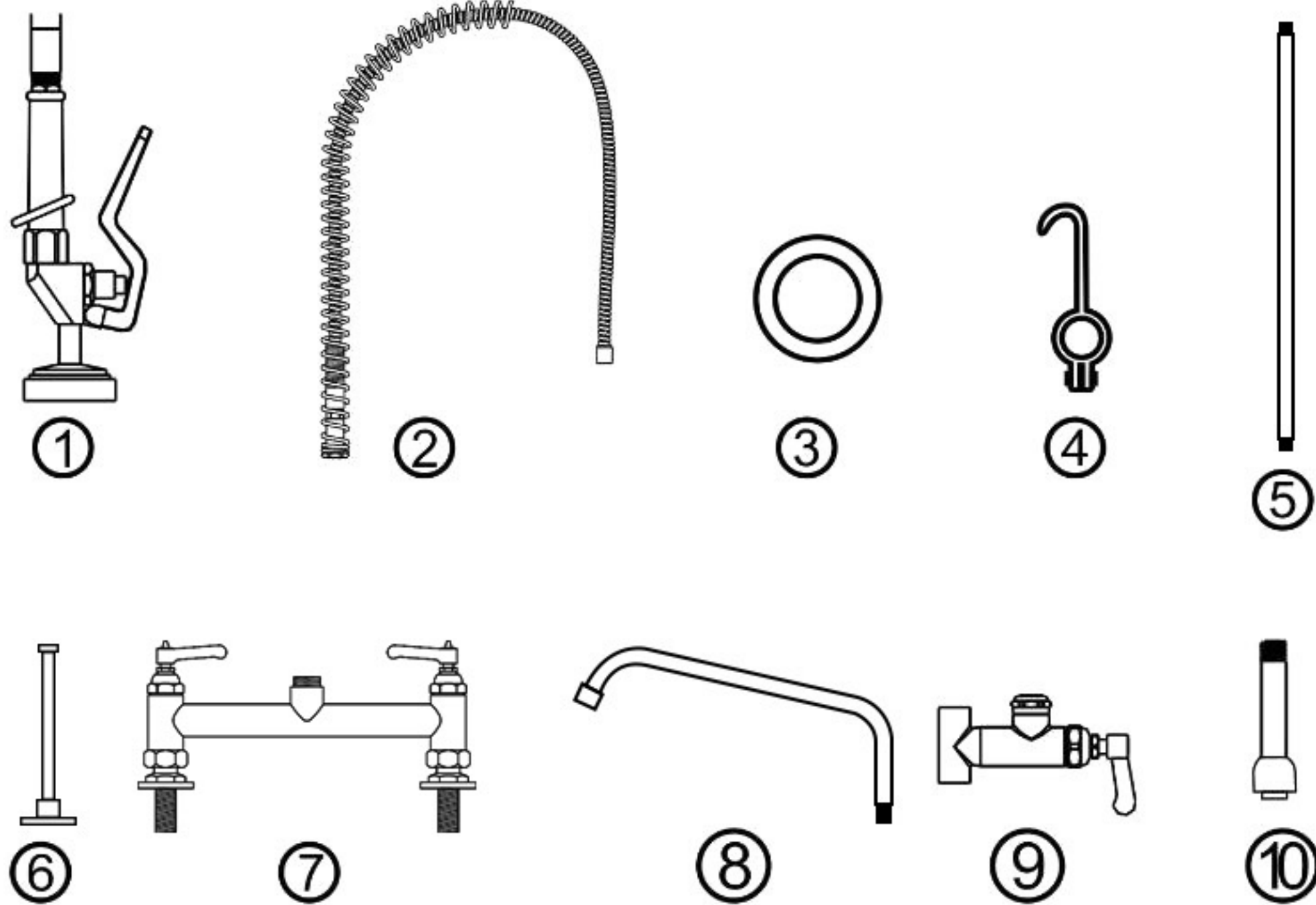
- Missing one or more washers ( A1/A2/B/C/E )
- Broken or incorrect washers ( A1/A2/B/C/E ) inside
- Loose connections

### How to do when leaking?

First of all, try to fix the connections tight where leaking.

If not work, pls disassemble the leakage position and check if washers is missing/broken/incorrect.

And then put the corresponding washer inside or replace with a new one .



## Installation Steps

- Fix the body into the deck.
- Install the add-on faucet to the base.
- Loosen the hose & spray valve, put the S/S ring into the spray valve as shown, and then hand tight back.
- No need to apply PTFE tape ! Built-in water-sealing washer A1, hand-tighten easy installation .
- Loosen the finger hook & put it into the riser, and then screw it.
- Use the Mini allen key provided in accessory bag to loose the wall bracket and fix it to the riser , then screw it tight.
- Hand tight the hose onto the riser. Be careful not to lost the seal washer A2/B/C inside.
- Press down the riser into the body and hand-tighten the locking nut.
- Fix the wall bracket on the wall, the bracket can be cut to length.