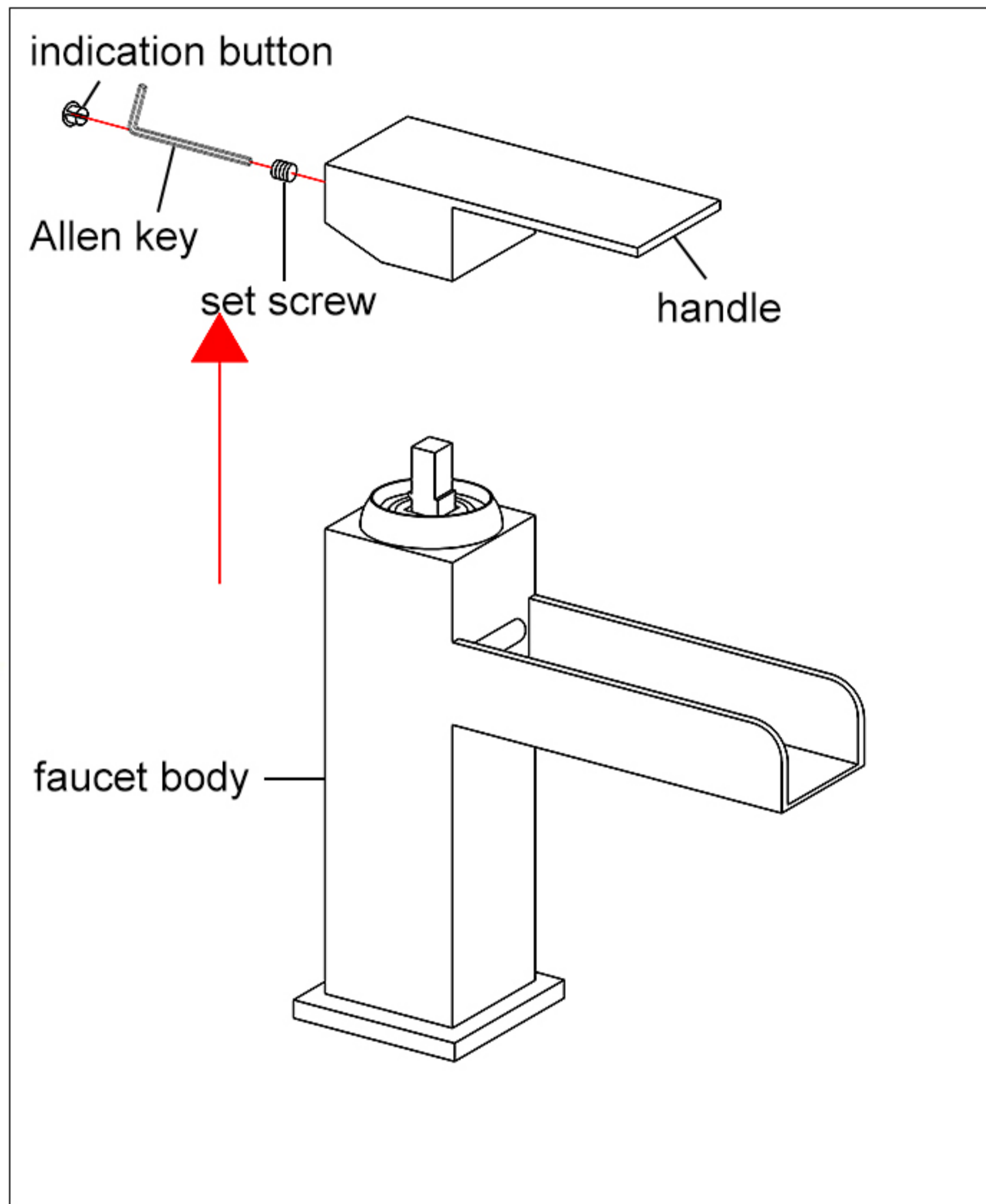


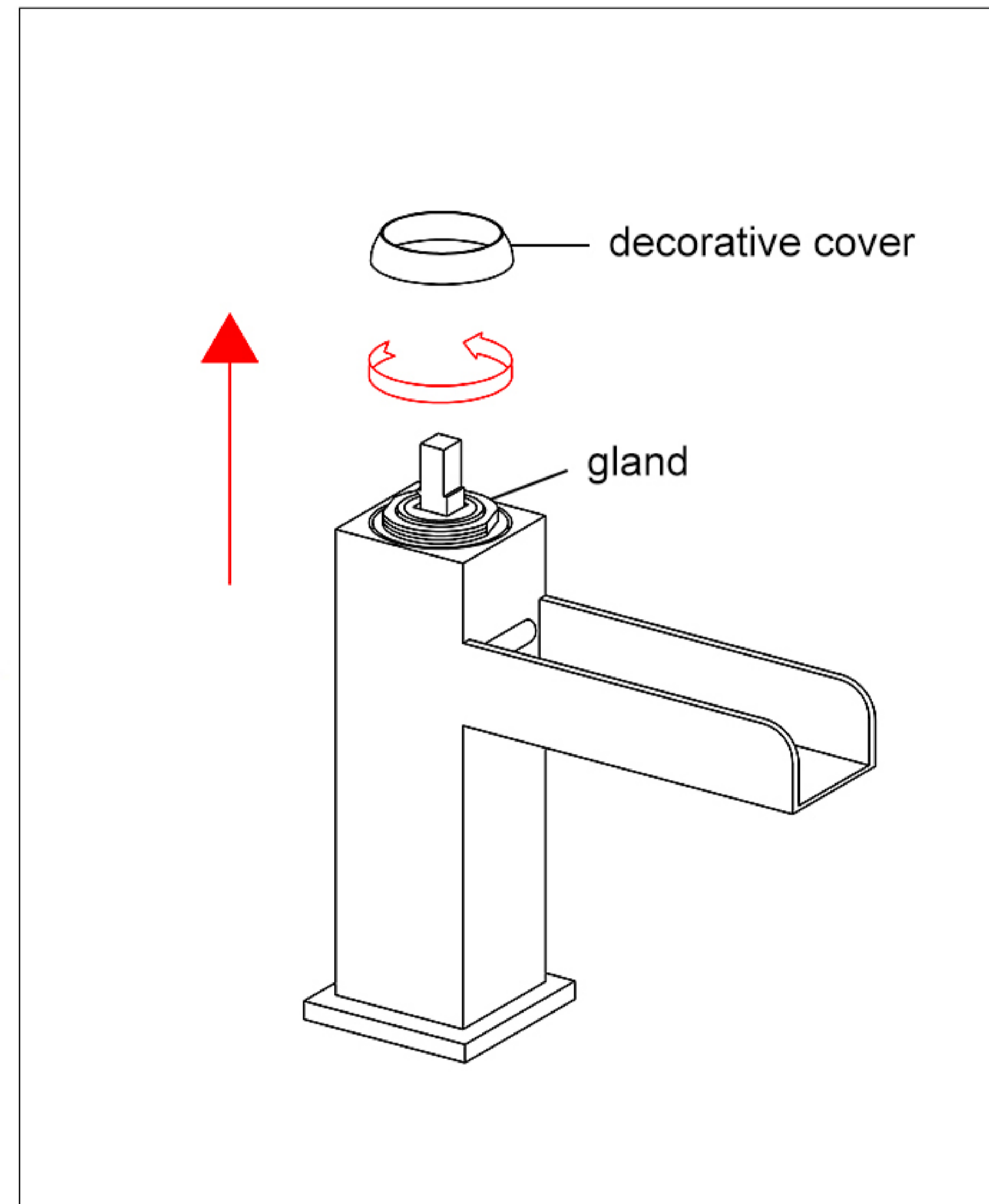
Throttle Remove Steps

Attention:

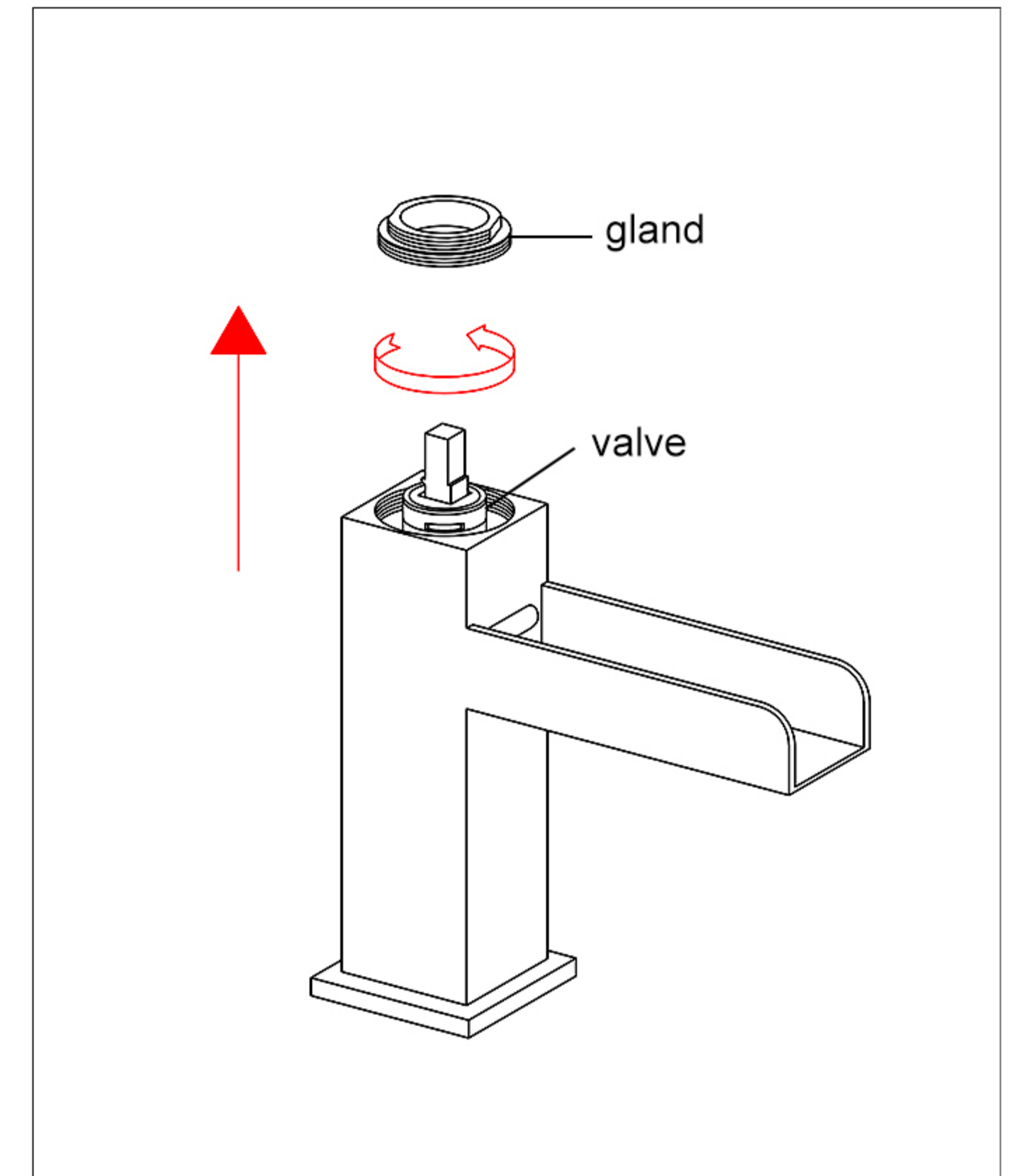
In order to meet US water saving regulation and ensure the waterfall effect, the faucet is equipped with throttle. If the water pressure is not enough and the waterflow is small, you could remove the throttle to get more waterflow.



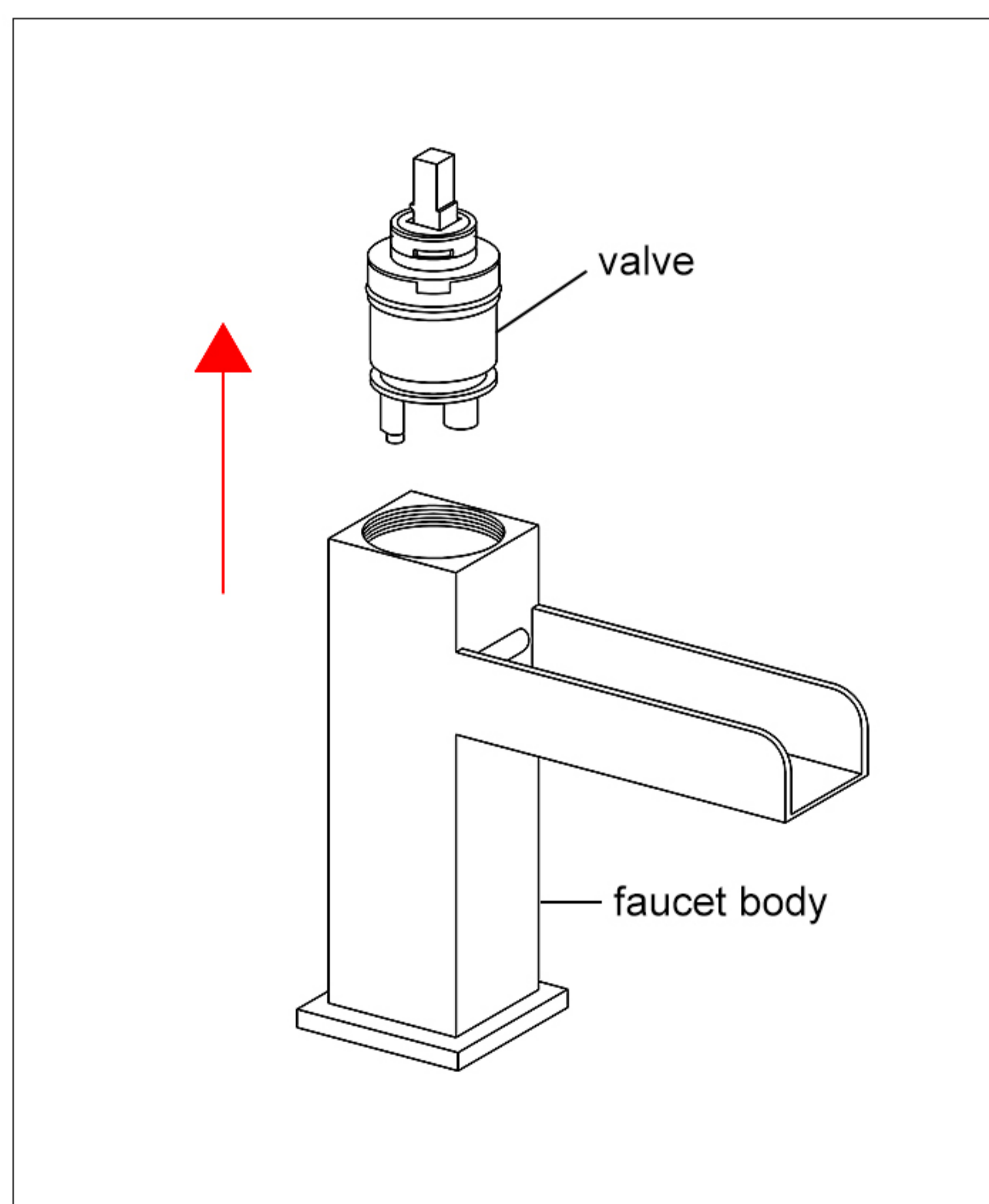
1. Remove the indication button from the handle. Use Allen key to unscrew the set screw and then take out the handle from the faucet body.



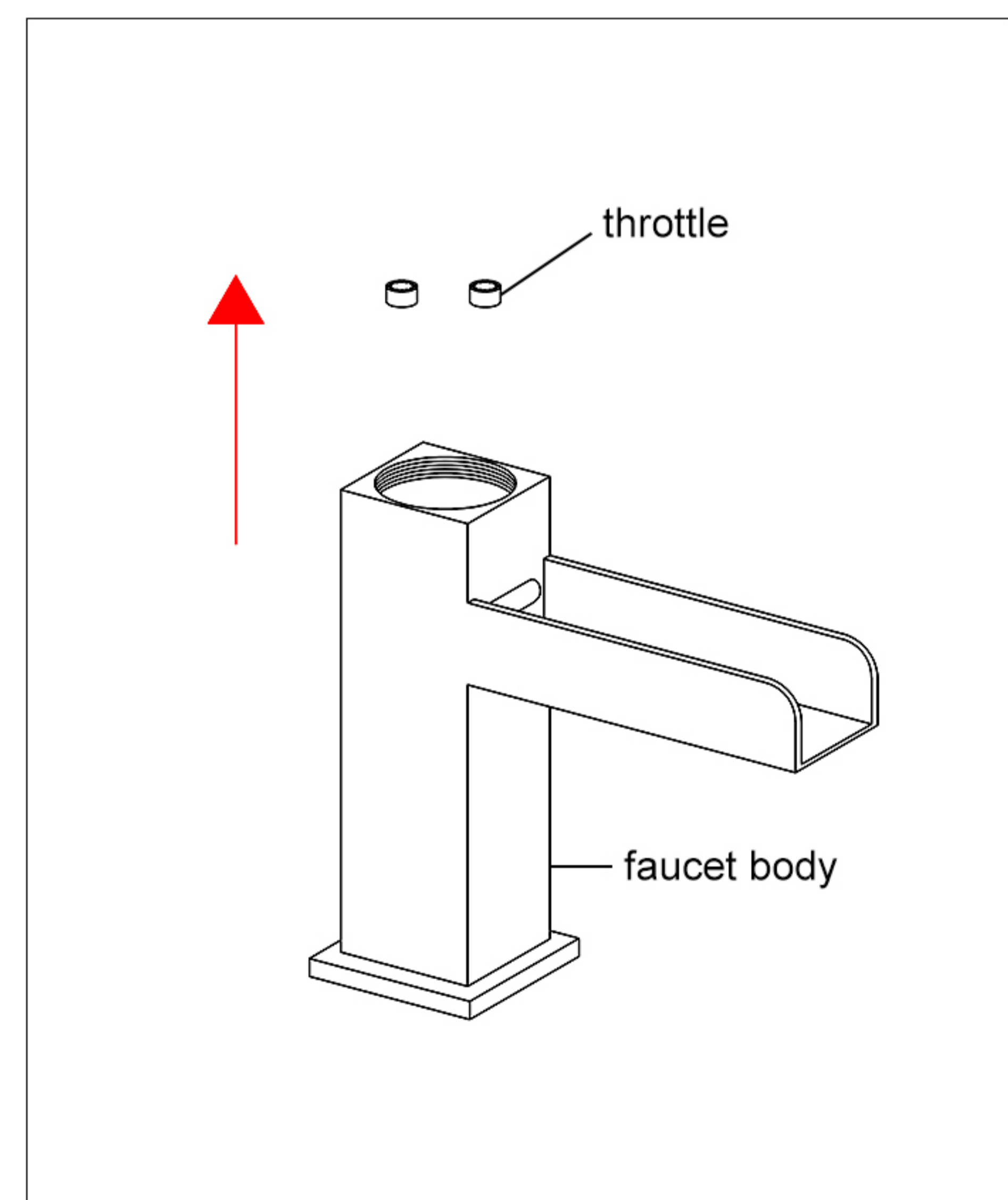
2. Unscrew the decorative cover from gland.



3. Remove the gland from valve.



4. Take out the valve from the faucet body.



5. Remove throttles from the faucet body.